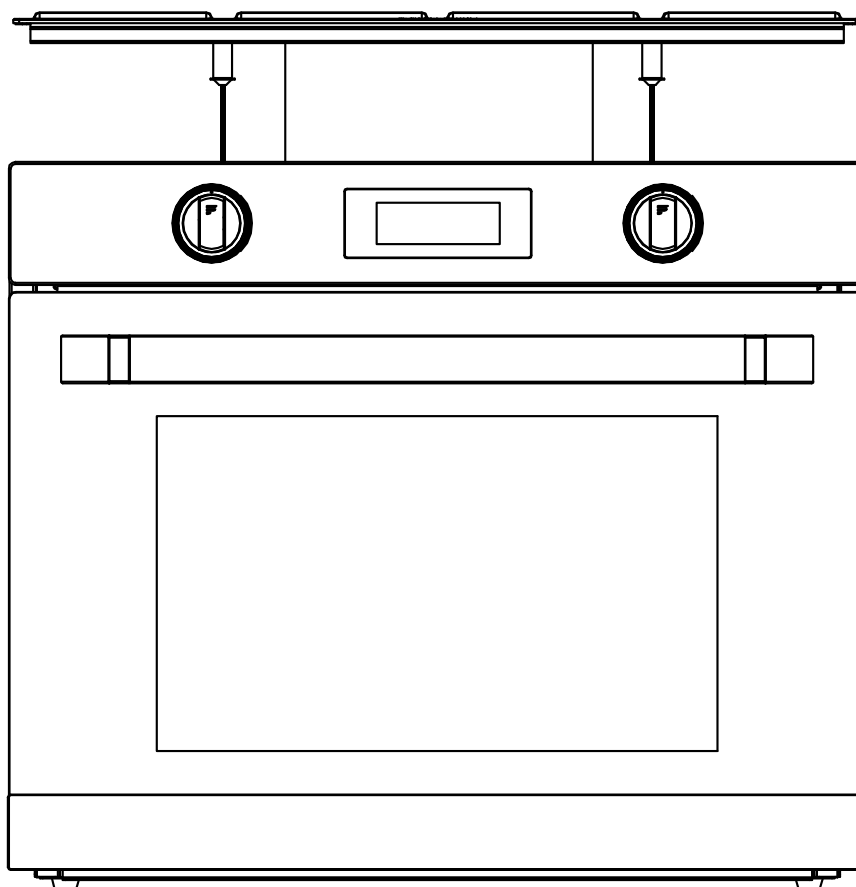


# FURRION

**Chef Collection Gas Oven**  
**Four au gaz collection Chef**  
**Horno a gas línea Chef**

***Instruction Manual***  
***Manuel d'instructions***  
***Manual de instrucciones***

***Model/Modèle/Modelo:***  
***FS22N20A-SS***



\* Picture shown here is for reference only.

\* L'image ci-après est présentée à titre indicatif exclusivement.

\* La imagen que se muestra aquí es únicamente de referencia.

Thank you for purchasing this Furrion® product. Before operating your new appliance, please read these instructions carefully. This instruction manual contains information for safe use, installation and maintenance of the appliance.

Please keep this instruction manual in a safe place for future reference. This will ensure safe use and reduce the risk of injury. Be sure to pass on this manual to new owners of this appliance.

The manufacturer does not accept responsibility for any damages due to not observing these instructions.

**WARNING: If the information in this manual is not followed exactly, a fire or explosion may result causing property damage, personal injury or death.**

- Do not store or use gasoline or other flammable vapors and liquids in the vicinity of this or any appliance.
- **WHAT TO DO IF YOU SMELL GAS:**
  - Do not try to light any appliances.
  - Do not touch any electrical switches.
  - Do not use any phone in your recreational vehicle.
  - Clear the recreational vehicle of all occupants.
  - Turn off the LP container valve or main container.
  - Immediately call your gas supplier for instructions.
  - If you cannot reach your gas supplier, call the fire department.
- Have the gas system checked and leakage source corrected by a qualified installer, service agency, manufacturer, dealer or the gas supplier.

## Table of Contents

<b>Table of Contents</b> .....	<b>1</b>
<b>Explanation of Symbols</b> .....	<b>2</b>
<b>Important Safety Instructions</b> .....	<b>2</b>
General Safety Warnings.....	2
Oven Safety Warnings.....	3
<b>Product Overview</b> .....	<b>4</b>
<b>Installation</b> .....	<b>4</b>
What's in the Box.....	4
Cabinet Cutout Instructions.....	4
Oven Installation.....	5
Ventilation Installation.....	5
Cooktop Installation.....	6
Electrical Connection.....	6
Gas Connection.....	6
<b>Operation</b> .....	<b>7</b>
Leak Check.....	7
Lighting Instructions.....	7
Shut off Instructions.....	7
The Burner Flame.....	7
<b>Cooking Advice</b> .....	<b>8</b>
Cooking Pizza.....	8
Cooking Fish and Meat.....	8
<b>Cleaning and Maintenance</b> .....	<b>8</b>
How to Keep Your Oven in Shape.....	8
Oven Rack Guide.....	8
Removing the Oven Door.....	9
Replacing the Oven Light.....	10
Replacing the Control Knob LED.....	10
Storage.....	11
<b>Troubleshooting</b> .....	<b>11</b>
<b>Specifications</b> .....	<b>12</b>

## Explanation of Symbols

This manual has safety information and instructions to help you eliminate or reduce the risk of accidents and injuries. Always respect all safety warnings identified with these symbols. A signal word will identify safety messages and property damage messages, and will indicate the degree or level of hazard seriousness.

### **⚠ DANGER**

Indicates an imminently hazardous situation which, if not avoided, will result in death or serious injury.

### **⚠ WARNING**

Indicates a potentially hazardous situation which, if not avoided, could result in death or serious injury.

### **⚠ CAUTION**

Indicates a potentially hazardous situation which, if not avoided, may result in minor or moderate personal injury, or property damage.

## Important Safety Instructions

Warning and important safety instructions appearing in this guide are not meant to cover all possible conditions and situations that may occur. Common sense, caution, and care must be exercised when installing, maintaining, or operating the appliance.

Always contact the manufacturer about problems or conditions you do not understand.

Read and follow all instructions before using this appliance to prevent the potential risk of fire, electric shock, personal injury or damage to the appliance as a result of improper usage of the appliance. Use appliance only for its intended purpose as described in this guide.

If an external electrical source is utilized, the appliance must be electrically grounded in accordance with state or other codes or, in the absence of such codes, with the National Electrical Code, ANSI/NFPA 70. Do not attempt to adjust, repair, service or replace any part of your appliance unless it is specifically recommended in this guide. All other servicing should be referred to a qualified service technician.

instructions in this manual, then the risk of a fire and/or the production of carbon monoxide exists, which can cause personal injury, property damage or loss of life.

### **⚠ WARNING**

#### **EXPLOSION OR FIRE**

- Shut off all gas appliances and pilot lights when refueling gasoline tanks, LP tanks or when vehicle is in motion.
- Furrion gas operated cooking appliances are for use with LP gas only, and for installation in recreation vehicles only (e.g. travel trailers, motor homes, tent campers, etc.).

### **⚠ WARNING**

#### **CARBON MONOXIDE POISONING**

- DO NOT use this appliance for warming or heating vehicle. You could be burned or injured, a fire could start, or deplete oxygen in the vehicle.
- A window or air vent should be open slightly while using any cooking appliance. Gas flames consume oxygen which must be replaced to assure proper combustion.

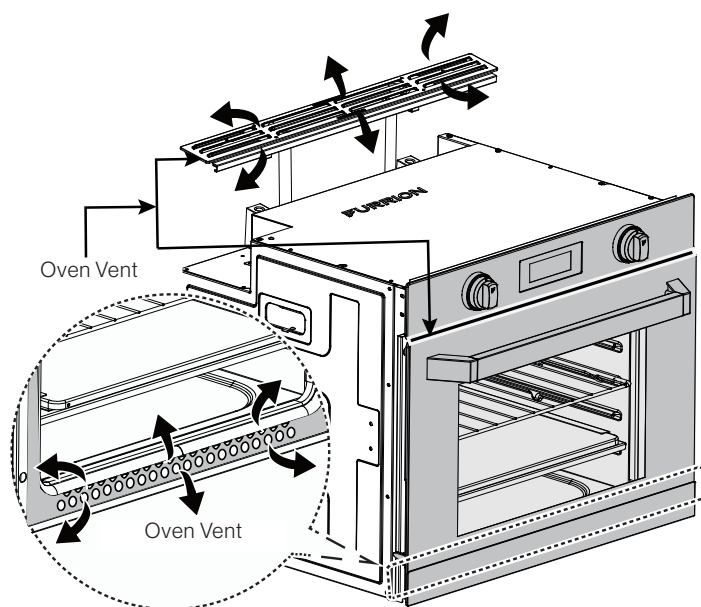
## General Safety Warnings

### **⚠ WARNING**

- Improper installation, adjustment, service or maintenance can cause injury, property damage or death. Refer to this manual. For assistance or additional information, consult a qualified installer, service agency, manufacturer or the gas supplier.
- Avoid using your appliance or any other appliance if you smell gas. Do not assume that the smell of gas in your RV is normal. Any time you detect the odor of gas, it is to be considered life threatening and corrected immediately. Extinguish any open flames including cigarettes and evacuate all persons from the vehicle. Shut off gas supply at LP gas bottle.
- If the user of this appliance fails to maintain it in the condition in which it was shipped from the factory or if the appliance is not used solely for its intended purpose or if appliance is not maintained in accordance with the

- DO NOT store or use gasoline or other flammable vapors and liquids in the vicinity of this or any other appliance.
- DO NOT operate the appliance if it is damaged or not working properly.
- Never attempt to repair the appliance by yourself. Any repairs to or installation of this appliance must be performed by a qualified installer, service agency or the gas supplier and in accordance with the instructions in this manual. Service of your appliance by a non-approved service person or agency could result in failure of the integrity of the appliance and could lead to property damage, serious injury or loss of life.
- Have your dealer show you where the main gas shut-off valve is located and how to shut it off in an emergency.
- Use your appliance only for its intended use.

- Children should be taught that the appliance is not a toy. They should not be allowed to play with the controls or any other parts of the appliance. Do not allow anyone to stand or sit on top of the appliance. Not only can this damage the appliance, but personal injuries could result.
- Do not store items of interest to children in cabinets above or near the appliance. Children climbing on the appliance to reach items could be seriously injured.
- All control knobs must be turned off when not in use. Fire and/or burning hazard may occur if a burner is accidentally left on.
- If any burner should extinguish (after initially lighting or due to accidental blow-out), turn all burner knobs off and wait five (5) minutes before attempting to relight the burner.
- DO NOT store flammable materials on, in, or near the appliance. Any fumes can create an explosion and/or fire hazard.
- Do not wear loose fitting clothing or long-hanging sleeved clothing while using the appliance. If they contact the open flame of the burner, they could ignite and cause severe burns.
- Use only dry potholders to remove hot utensils. Using damp potholders on hot surfaces could result in burns to hands. Do not use a towel or bulky cloth for a pot holder. The cloth could contact open flame and catch fire.
- Never heat an unopened container. Pressure build-up within the container can cause it to explode.
- Do not use water on grease fires. Never pick-up a flaming pan. Smother a flaming pan with a lid or flat pan. Flaming grease outside the pan can be extinguished with baking soda or a multipurpose dry chemical fire extinguisher.
- This appliance is intended to be built-in to a cabinet structure only and is not intended for attachment to the building structure.
- DO NOT touch the outer surface of the oven door or the oven vent while the oven is in use. These areas may become hot enough to cause burns. During and after use, do not let clothing or other flammable materials contact these areas until they have had sufficient time to cool.
- DO NOT cover the ventilation holes in the Flame Spreader Rack (shelf above oven burner). The air circulation inside the oven will be interrupted and cooking times will vary from normal, food may be burned or undercooked.
- DO NOT use oven as a storage area.
- If oven pilot should extinguish after initial lighting or due to accidental blowout, turn oven knob off and wait five (5) minutes before again attempting to relight the oven.
- Always place oven racks in desired location while oven is cool. If rack must be moved while oven is hot, do not let potholder contact hot heating element in oven.
- Use care when opening the oven door, let hot air or steam escape before removing or replacing food.
- Do not cover the oven vent openings whenever oven is being used. Covering the vents restricts the flow of combustion air to the oven burner and could cause poor combustion and the formation of carbon monoxide.

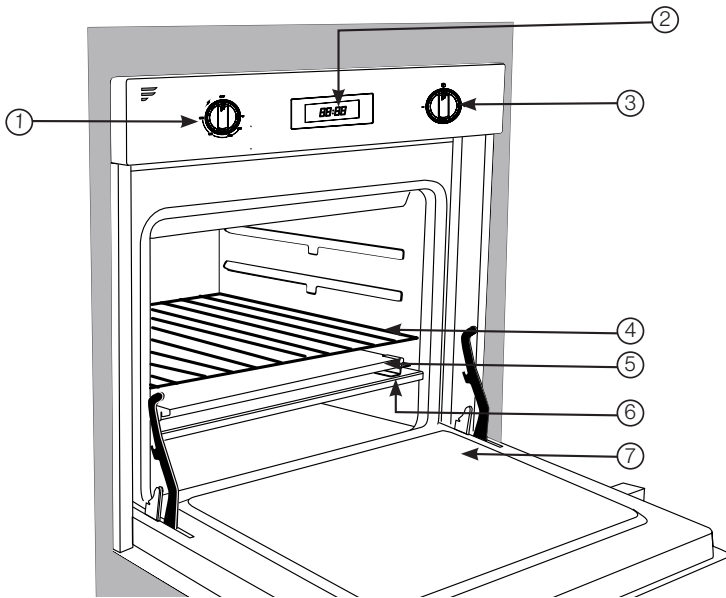


## Oven Safety Warnings

- DO NOT TOUCH HEATING ELEMENTS OR INTERIOR SURFACES OF OVEN – Heating elements may be hot even though they are dark in color. Interior surfaces of an oven become hot enough to cause burns. During and after use, do not touch, or let clothing or other flammable materials contact heating elements or interior surfaces of oven until they have had sufficient time to cool. Other surfaces of the appliance may become hot enough to cause burns – among these surfaces are (identification of surfaces – for example, oven vent openings and surfaces near these openings, oven doors, and windows of oven doors).



# Product Overview



Item	Description
①	Oven Control Knob
②	LED Display
③	Timer Control. Sets timer for up to 23 hours 59 minutes.
④	Adjustable Oven Rack
⑤	Drip Tray
⑥	Baking Tray
⑦	Oven Door

# Installation

## ⚠ WARNING

### FIRE, EXPLOSION, BURN INJURY CARBON MONOXIDE POISONING

- The cooking appliance must be completely separated and/or sealed from other air moving or air consuming devices such as, but not limited to furnaces, microwave ovens clothes dryers, cooling fans and doors or drawers in common cabinets. Failure to do so will affect the appliance(s) combustion air supply by creating either a negative or positive draft.
- **NEGATIVE DRAFT** caused by air moving appliances may draw the top burner flame down into or toward the cooktop resulting in cooktop damage, burn hazard, explosion possibility and/or carbon monoxide build up.
- **POSITIVE DRAFT** may blow out the top burner flame during use resulting in an explosion and/or fire hazard and/or injury to the occupants of the vehicle.
- **DO NOT** operate the appliance in excessive windy conditions as this may cause a negative or positive draft.

## ⚠ WARNING

Installation of this appliance must be made in accordance with the written instructions provided in this manual. No agent, representative or employee of Furrion or other persons has the authority to change, modify or waive any provision of the instructions contained in this manual.

**NOTE:** Ensure the countertop, surrounding materials and bonding agents have a temperature rating of no less than 203°F (95°C).

The installation must conform with local codes or in the absence of such codes, refer to the latest edition of: In the U.S.A.:

- Standard for Recreational Vehicles NFPA 1192.
- National Fuel Gas Code ANSI Z223.1/NFPA 54.

In Canada, the installation must conform with:

- Standard CAN/CSA Z-240.4.2-08, Installation Requirements for Propane Appliances and Equipment in Recreational Vehicles.
- Any applicable local codes and regulations.

## What's in the Box

Make sure you have all the following items included in the packaging. If any item is damaged or missing, contact your dealer.

- Gas Oven x 1
- Rack x 1
- Drip Tray x1
- Baking Tray x 1
- Instruction Manual x 1
- Warranty Leaflet x 1

## Cabinet Cutout Instructions

For proper operation of your cooking appliance, the cabinets must be properly constructed and squared with respect to the counter top and the cabinet face.

For proper operation of these units, the oven must be level.

**NOTE:** When the appliance is used together with a Furrion gas cooktop or induction cooktop, the cabinet cutout must be located with respect to the minimum clearance to combustible materials (minimum clearances from combustible materials: 2 inches from the rear, left and right sides (see D dimension in Fig. 1) and 30 inches from the top if a cooktop is installed). When planning the location, consider curtains or other combustible materials to be installed around the oven.

## Gas Oven with Gas or Electric Cooktop (Fig. 1)

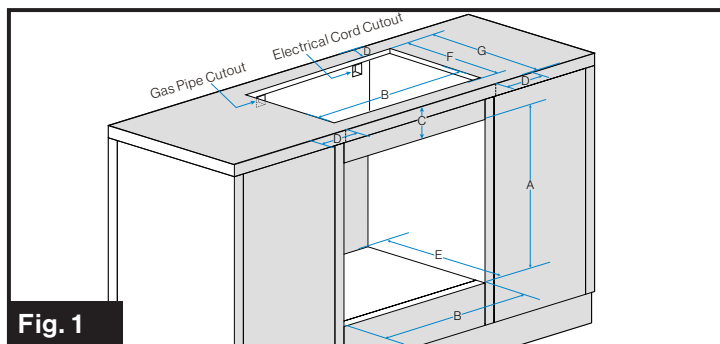


Fig. 1

A	B	C	D	E	F	G
20 1/2" 525mm	23 1/2" 597mm	4" 101mm	Min. 2" 51mm	Min. 16 1/8" 522mm	16 3/4" 426mm	Min. 18 3/8" 467mm

The recommended minimum distance between the floor and the bottom of the cutout opening is 4" (101mm).

## Oven Installation

When the cabinet has been prepared according to the dimensions given above and the gas line is in place.

1. Remove the oven from its packaging and slide the oven into the cabinet opening. (Fig. 2)

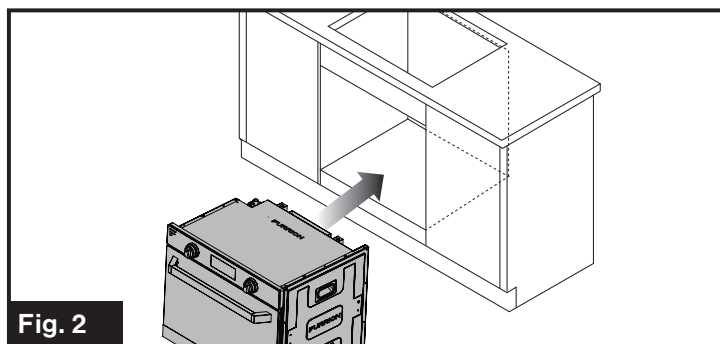


Fig. 2

2. Verify the oven is level from side to side and front to rear.
3. Open the oven door and securely fasten the oven in place with four screws (not provided). (Fig. 3)

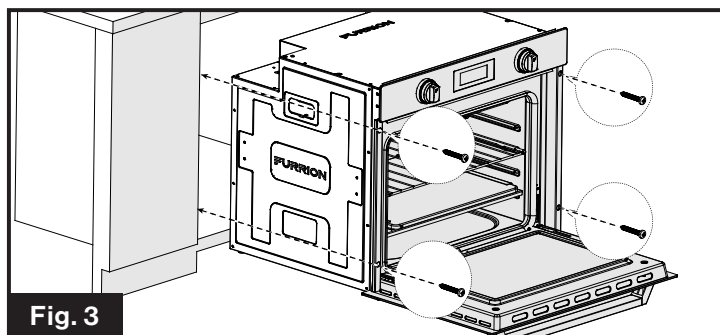


Fig. 3

## Ventilation Installation

After securely mounting the oven into the cabinet, install the vent through the top cutout area of the cabinet.

1. Install the vent outer flue assembly onto the top of the oven unit. Ensure the outer flue slides over the middle flue opening on the oven. Ensure the vent outer flue vent assembly has the cooktop edge support facing forward. (Fig. 4)

### ⚠ WARNING

The minimum overlap of the vent outer flue and the vent oven middle flue is 3/4". Refer to Fig. 4 for assembly instructions.

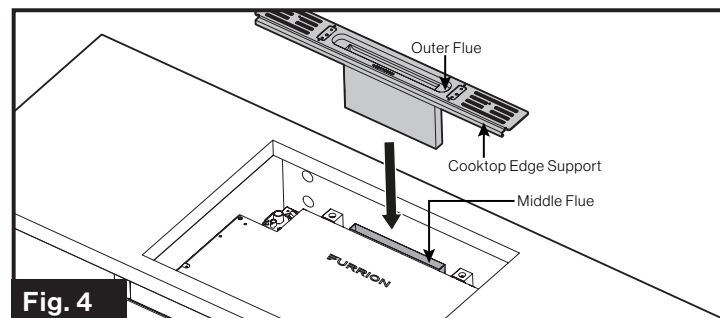


Fig. 4

2. Fix the vent assembly to the oven with the two screws provided (M4x140mm) and tighten with screwdriver. Do not over tighten. (Fig. 5)

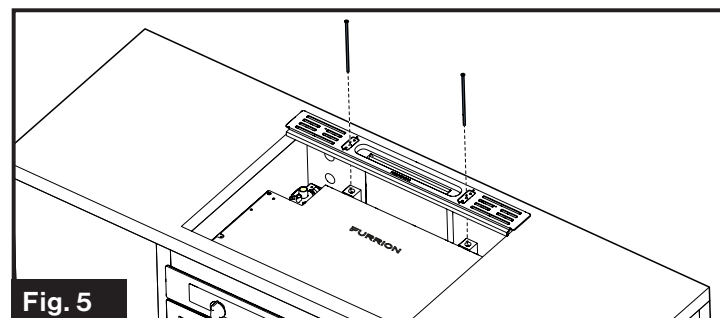


Fig. 5

3. Place the vent cover over the vent assembly. Make sure the vent cover louvers are facing forward. (Fig. 6 & Fig. 7)
- NOTE:** The Vent is pokey yoked with the vent trim attachment screw holes to have the louvers facing forward.

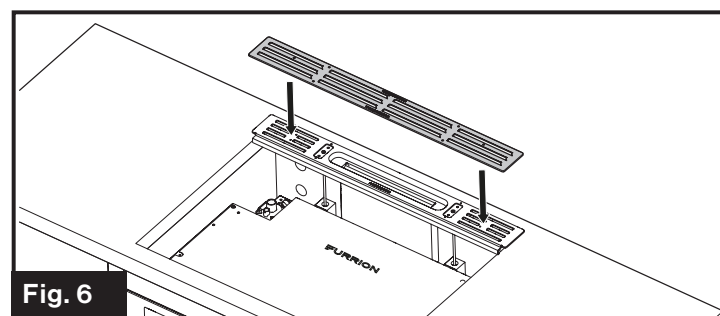


Fig. 6

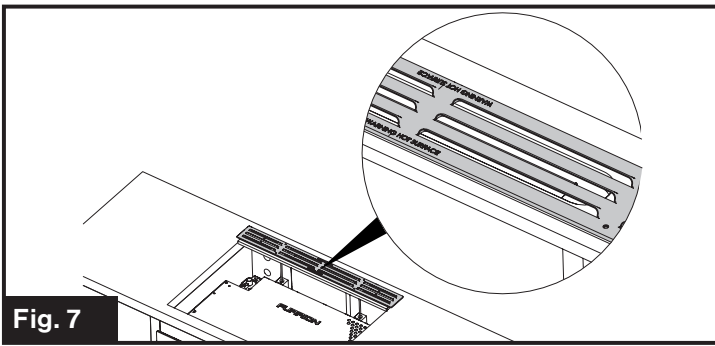


Fig. 7

4. Secure the vent cover onto the vent assembly with the six screws provided (M3 x 8mm). (Fig. 8)

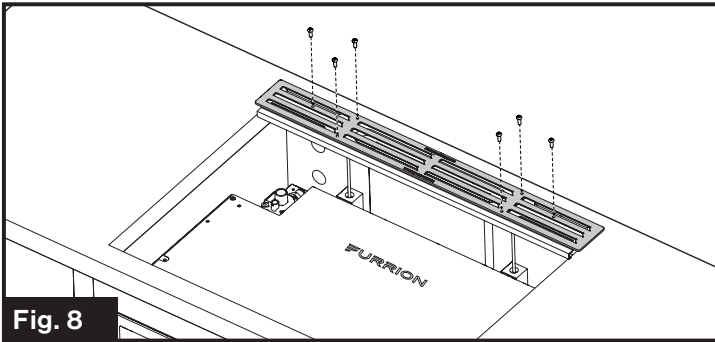


Fig. 8

## Cooktop Installation

This oven is designed and can be used with a Furrion gas or electric cooktop, please refer to corresponding cooktop instruction manual on how to construct the cabinet and install the cooktop over the oven. (Fig. 9 & Fig 10)

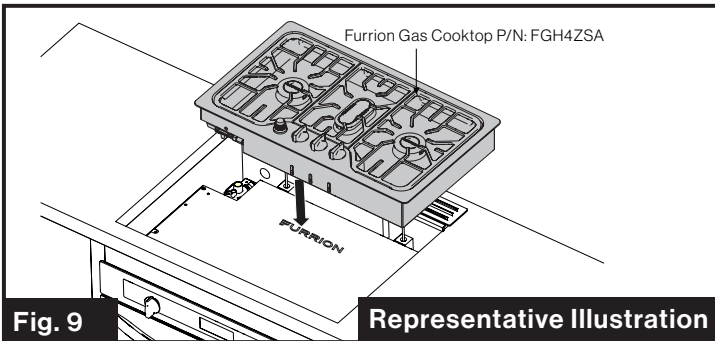


Fig. 9

Representative Illustration

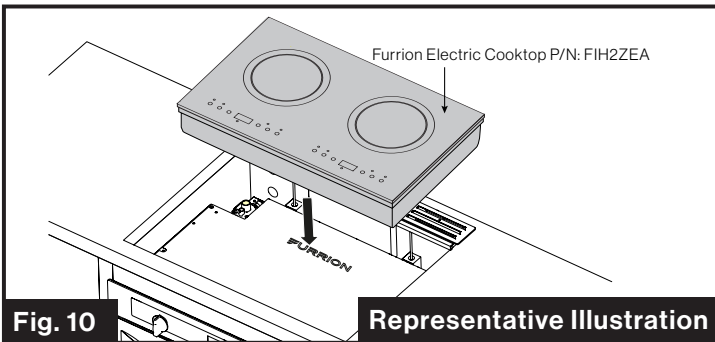


Fig. 10

Representative Illustration

## Electrical Connection

- The power supply of this oven is 12V. Connect the components below separately. (Fig. 11)
  - NOTE:** Ensure to connect the wires with the correct polarity. Black is "+" and White is "-".
- 12V power for:** Igniter, Oven Light, Cooling fan, Electronic Timer & Display, 140°F (60°C) Thermostat Control.
  - Feed the cable through the electrical cord cutout on the upper rear-right corner of the cabinet, use a 15A fuse at the power source for protection.
  - The nameplate is located on top of the oven, refer to the label for the technical specifications.

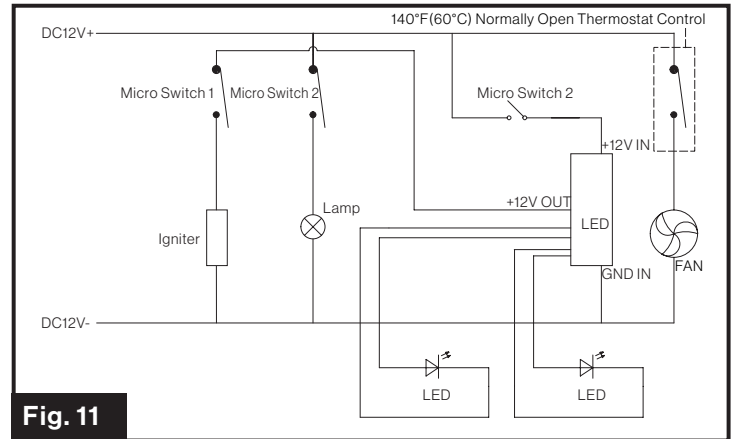


Fig. 11

## Gas Connection

### ⚠ WARNING

Gas supply pipe must be installed with clearance from knives contacting or cutting gas lines.

Connect a propane supply line with a  $\frac{3}{8}$ " Flare Female connection to the gas oven in the upper left rear corner of the cabinet. (Fig. 12) Tighten the gas line joint to the gas oven using 2 wrenches.

**IMPORTANT:** Leave adequate space around the gas supply pipe in case of bend or damage during installation. Make sure the gas supply pipe cannot contact any moving parts after installed. Be sure all openings in the cabinet around the gas line are sealed at time of installation.

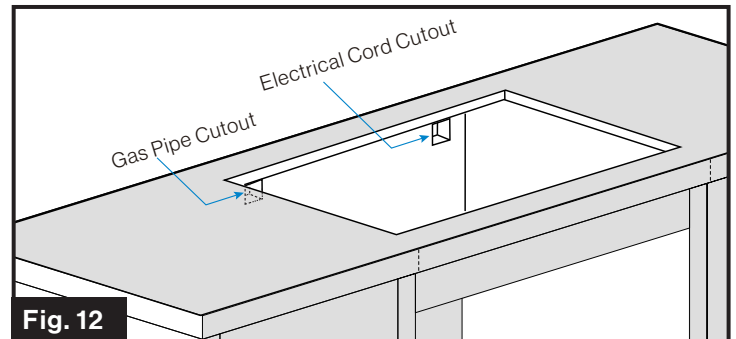


Fig. 12

## Check that the Connection Is Tight

When installation is completed, check the pipe fittings for leaks using a gas leak detection solution. Never use a flame.

## Leak Check

### ⚠️ WARNING

#### FIRE OR EXPLOSION

- Extinguish all open flames.
- NEVER leak test when smoking. Never use a flame.
- Do not use the appliance until connection has been leak tested and does not leak.
- Pressure/Leak test using 11-13.8 WC pressure.

### ⚠️ WARNING

- Gas leaks may occur in your system and result in a dangerous situation. Always perform a leak test for possible leaks according to the manufacturer's instructions after installation and before any operation.
- Gas leaks may not be detected by smell alone. Gas suppliers recommend you purchase and install a UL approved gas detector.

### ⚠️ WARNING

- DO NOT use matches, candles or other sources of ignition when checking for gas leaks.
- Do not smoke while leak testing.
- Never leak test with an open flame.

Please follow below steps to make leak test for the appliance:

1. Extinguish all open flames.
2. Turn the gas supply valve and control knobs off.
3. Prepare soap solution mixing of equal parts mild detergent or liquid soap and water.
4. Spray the soap solution on all gas connections and gas pipes of the appliance.
5. Turn the gas supply valve on and inspect all gas connections for bubbles:
  - If no bubbles appeared, there is no gas leak in the appliance
  - If bubbles appeared, where there are bubbles, where there is a leak point.
6. If a gas leak is detected, tighten the connection and repeat the above steps. If the leak is on the gas supply line connection, replace the gas supply line and repeat above steps.

**NOTE:** It is also recommended that you perform a leak test at least once a year whether the propane gas supply cylinder has been disconnected or not.

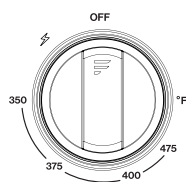
## Operation

### ⚠️ WARNING

Keep your arms and face away from being directly above the cooking area while in operating the appliance.

## Lighting Instructions

1. Before lighting, reset gas control knobs to the **OFF** position.
2. Check that the main inlet gas valve is **OPEN**.
3. Keep the oven door in the open position for the full ignition process to view the pilot and burner until lit.
4. Push and turn the gas control knob counterclockwise to ⚡ position until pilot lights. (You will hear a clicking sound when the knob is pushed in.)
5. If ignition does not occur in 5 seconds, turn gas control knob off, wait 5 minutes and repeat the lighting procedure.
6. Once the pilot flame is lit, continue to hold the oven control knob in for 10-15 seconds, then release knob and verify pilot stays lit. Repeat the above steps if pilot goes out after releasing the knob. (Keep the oven door open for this process)
7. After the pilot flame is ignited and the control knob is released, then turn the control knob counter-clockwise to the required temperature setting.
8. Verify visually that the oven burner has ignited once the control knob has been set to the desired temperature. The burner flame should ignite within a few seconds.



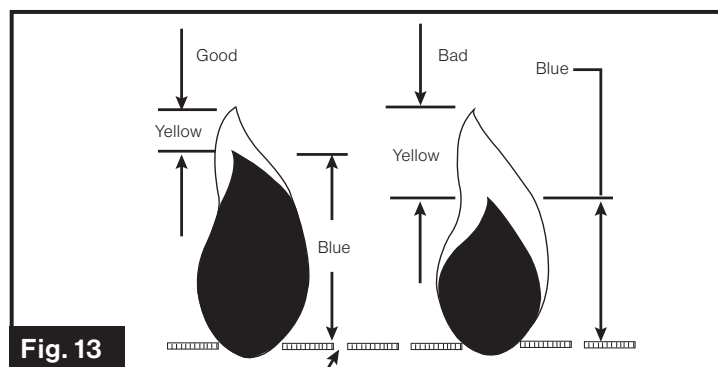
9. After verifying the burner has ignited, please close the oven door to continue the preheat process.

## Shut off Instructions

1. To extinguish the burner, push the oven control knob and rotate clockwise to **OFF** position. Extinguish all pilot flames when refueling or traveling.
2. Turn the main gas supply off.
3. Before transit, turn the main gas supply off at the shut off valve.
4. The fan may continue to run for 10 - 15 minutes after turning the oven off.

## The Burner Flame

Flames should appear similar to the good flame shown in diagram below. (Fig. 13)



A good flame should be blue with a yellow tip. Some yellow tips on flames up to 1 inch in length are acceptable as long as no carbon or soot deposits appear.

If flames are excessively yellow and irregular, the oil residue may not be completely burned off, or the venturi may be clogged or may not be properly positioned over the orifices.

## Cooking Advice

The oven offers a wide range of alternatives which allow you to cook any type of food in the best possible way. With time you will learn to make the best use of this versatile cooking appliance and the following directions are only a guideline which may be varied according to your own personal experience.

### **⚠ WARNING**

#### **Food Poisoning Hazard**

Do not let food sit in oven more than one hour before or after cooking. Doing so can result in food poisoning sickness.

## Cooking Pizza

For tasty crispy pizzas:

- Slide the baking tray into the oven.
- Preheat the oven for at least 20 minutes.
- Use a light colored pizza pan, placing it on the rack supplied with the oven. If the dripping pan is used, this will

extend the cooking time, making it difficult to get a crispy crust.

- Do not open the oven door frequently while the pizza is cooking.

## Cooking Fish and Meat

When cooking white meat, fowl and fish, use temperature settings from 350°F (176°C) to 425°F (218°C).

For red meat that should be well done on the outside while tender and juicy in the inside, it is a good idea to start with a high temperature setting "400 °F (205°C)~425°F (218°C)" for a short time, then turn the oven down afterwards.

In general, the larger the roast, the lower the temperature setting. Place the meat on the center of the rack and place the dripping pan beneath to catch the fat.

Make sure that the drip tray is placed in the center of the oven.

If you would like to increase the amount of heat from below, use the low rack heights. For savory roasts (especially duck and wild game), dress the meat with lard or bacon on the top.

## Cleaning and Maintenance

### How to Keep Your Oven in Shape

Before cleaning your oven, or performing maintenance, disconnect it from the power supply.

To extend the life of your oven, it must be cleaned frequently. Keep in mind that:

- Do not use steam equipment to clean the appliance.
- The enameled or stainless steel parts should be washed with lukewarm water without using any abrasive powders or corrosive substances which could ruin them; Stainless steel could get stained. If these stains are difficult to remove, use special products available on the market. After cleaning, it is advisable to rinse thoroughly and dry.
- The inside of the oven should preferably be cleaned after use, when it is still warm, with hot water and soap; the soap should be rinsed away and the interior should be dried thoroughly. Avoid using abrasive detergents (for example cleaning powders, etc...) and abrasive sponges for dishes or acids (such as limescale-remover, etc...) as these could damage the enamel. If the grease spots and dirt are particularly tough to remove, use a special product for oven cleaning by following the instructions provided on the packet.
- If you use your oven for an extended period of time, condensation may form. Dry it using a soft cloth.
- There is a rubber seal surrounding the oven opening which guarantees its perfect functioning. Check the condition of this seal on a regular basis. If necessary, clean it and avoid using abrasive products or objects to

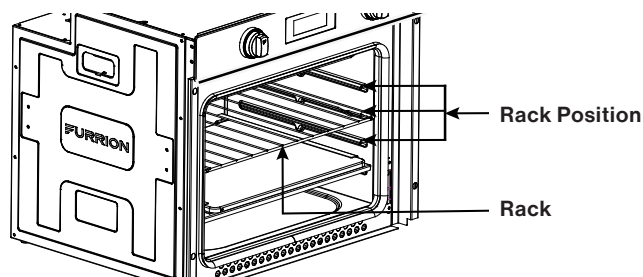
do so. Should it become damaged, please contract your nearest After-sales Service Center. We recommend you avoid using the oven until it has been repaired.

- Never line the oven bottom with aluminium foil, as the consequent accumulation of heat could compromise the cooking and even damage the enamel.
- Clean the glass door using non-abrasive products or sponges and dry it with a soft cloth.

## Oven Rack Guide

The oven rack feature an anti-tip locking system.

- To remove the rack push inside fully, then unclip the rear tabs from the locking channel by pushing upwards and slide forward.
- To insert the oven rack, position the oven rack just above the rack position desired. The rack should slide easily towards the back and will drop down once fully pushed in. To lock the rack into position, pull the rack forward slightly and then push the rack in to lock down the front section of the rack. (See the rack position as below.)





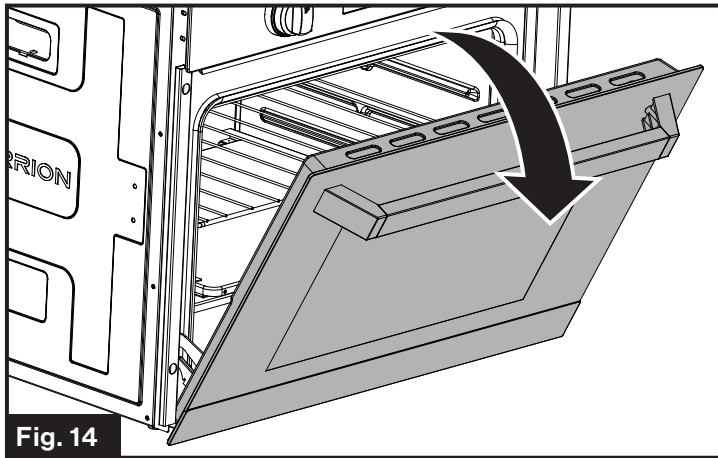
## Removing the Oven Door

### **⚠ WARNING**

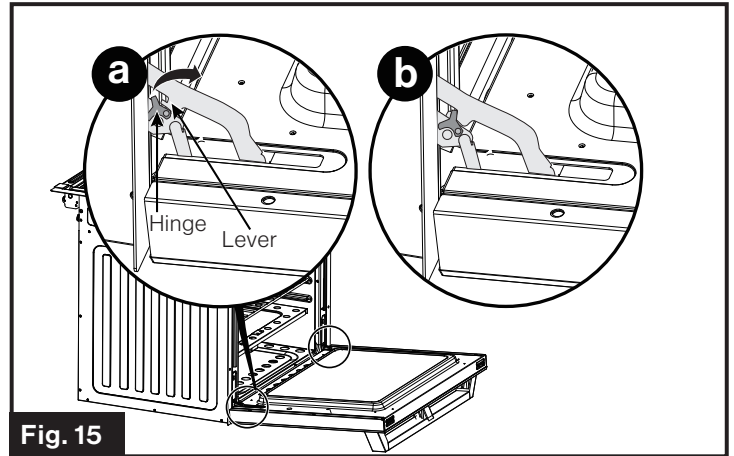
When removing the door:

- Do not place excessive weight on an open oven door or stand on an open oven door as, in some cases, it could cause the range to tip over, break or damage the door to the extent that the range would be unsafe to use, or cause serious injury to the user.
- When opening the oven door, allow steam and hot air to escape before reaching in oven to check, add or remove food.
- Make sure oven is cooled down and powered off before removing the door. Failure to do so could result in electrical shock or burns.
- The oven door is heavy and fragile. Use both hands to remove the oven door. The door front is glass. Handle carefully to avoid breaking.
- Grasp only the left and right sides of the oven door. Do not grasp the handle as it may swing in your hand and cause damage or injury.
- Failure to grasp the oven door firmly and properly could result in personal injury or product damage.
- To avoid injury from the hinge bracket snapping closed, be sure that both levers are securely in place before removing door (Fig. 15a). Also, do not force door open or closed - the hinge could be damaged and injury could result.

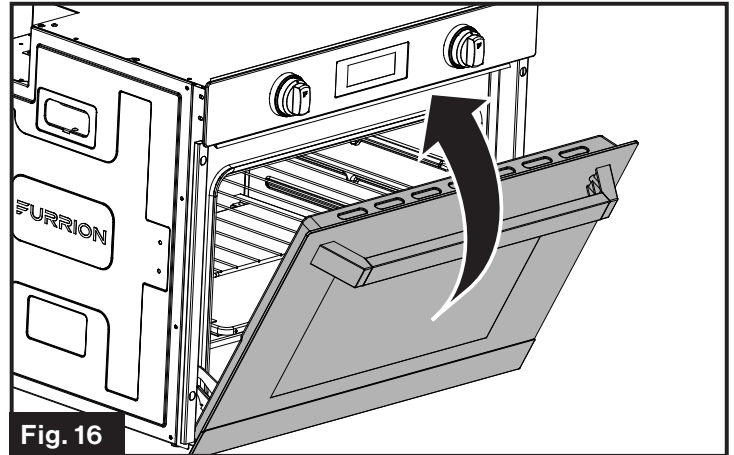
1. Be sure to read the above **WARNING** before attempting to remove oven door.
2. Open the door to its fully open position. (Fig. 14)



3. Rotate the Hinge (one on each side) toward you to buckle the lever. (Fig. 15)



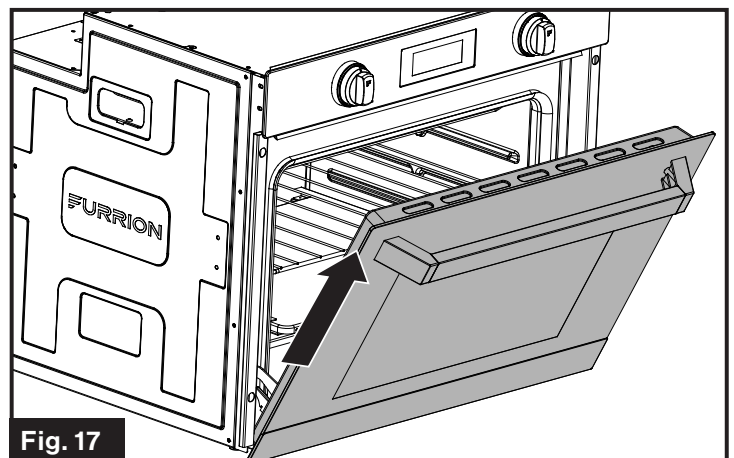
4. Close the door until it stops. (Fig. 16)



5. Holding the door firmly on the left and right sides using both hands, pull the door straight out of the hinge slots. (Fig. 17 and Fig. 18)

### **⚠ WARNING**

Hold firmly, the door is heavy.



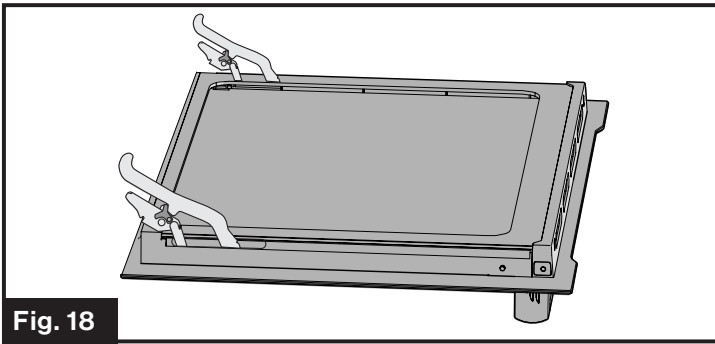


Fig. 18

6. Place the door on a protected flat place so that the glass door will not be damaged.
7. Follow the steps below to re-attach to the oven door (Fig. 19):
  - Insert the hinge into the top slot as shown in Fig 19 **a**.
  - Open the door to its fully open position as shown in Fig 19 **b**. Ensure the hinge buckle has released from the lever as shown in Fig 19 **c**.

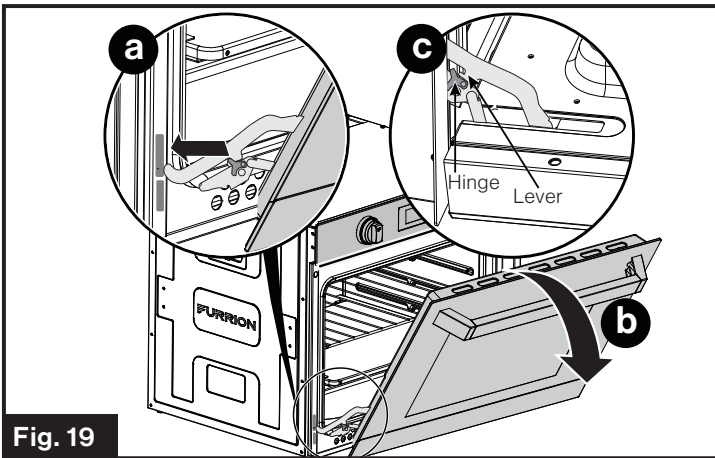


Fig. 19

## Replacing the Oven Light

1. Disconnect the oven from the power supply by the electrical mains or fuse.
2. Ensure the oven has cooled before servicing the oven light.
3. Remove the glass cover of the lamp-holder. (Fig. 20)

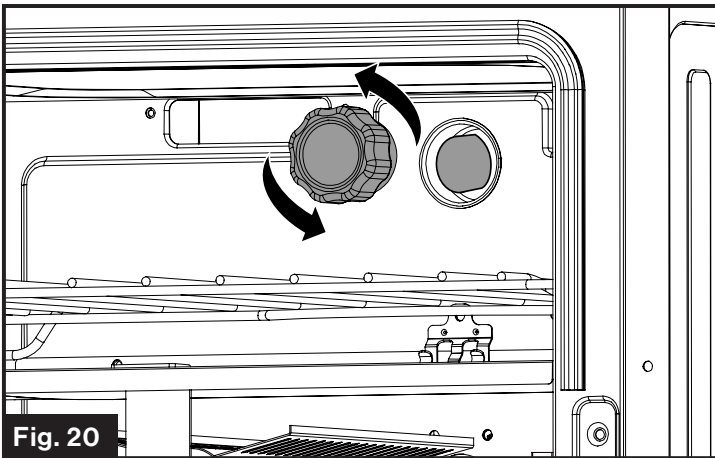


Fig. 20

4. Remove the lamp and replace with a lamp resistant to high temperatures (572°F) with the following characteristics:
    - Voltage: 12V
    - Wattage: 20W
    - Type: G4
    - Lamp Type: Halogen
  5. Replace the glass cover.
  6. Reconnect the power to the oven.
- To reorder the Furrion oven light bulb replacement, please call Furrion service for assistance.

## Replacing the Control Knob LED

1. Disconnect the oven from the power supply by means of the switch used to connect the appliance to the electrical mains or fuse. Grasp and pull out the control knob with the broken LED light. (Fig. 21)

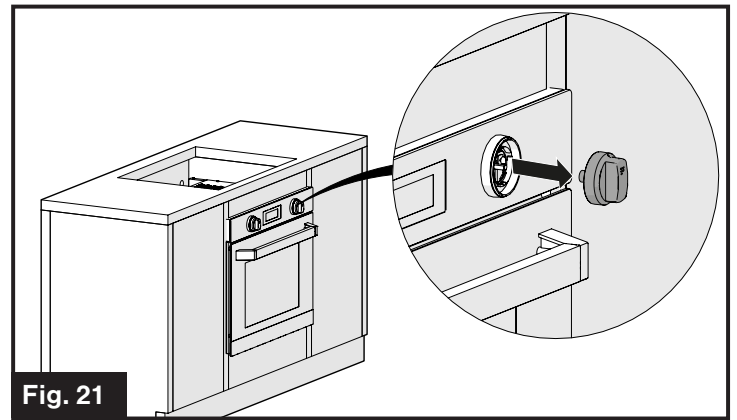


Fig. 21

2. Remove the two screws holding the LED light using a Phillips screwdriver. (Fig. 22)

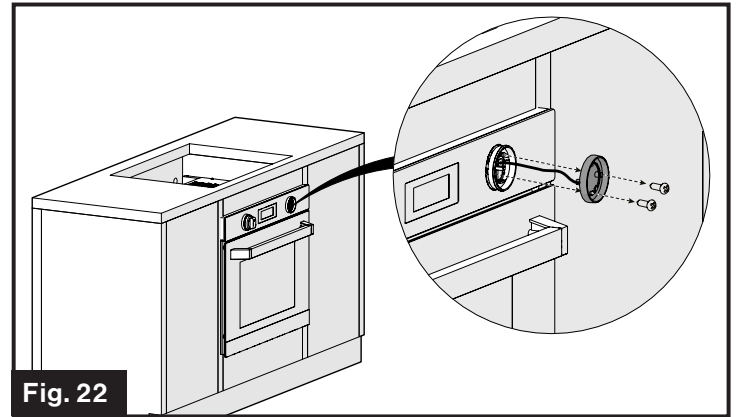


Fig. 22



- Remove the LED assembly and disconnect the wire from the base of the LED assembly. (Fig. 23)

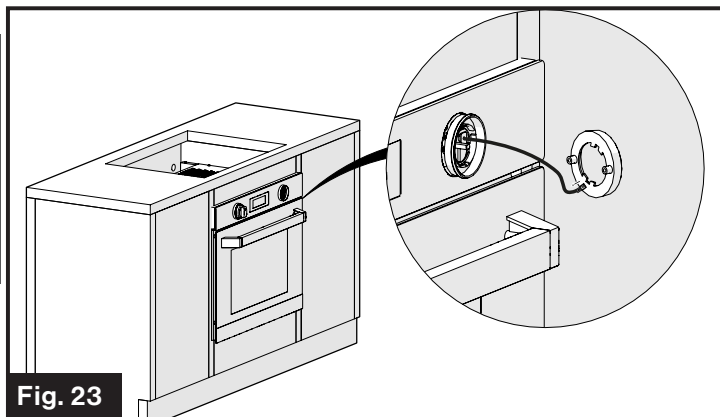


Fig. 23

- Plug the wire harness connector into the new LED assembly.
- Reattach the LED assembly to the console with the 2 screws removed in step 3. Ensure the wires are not pinched during this process.
- Reattach the control knob by aligning the stem of the control into the opening in the control knob housing and pushing it back into position.

## Storage

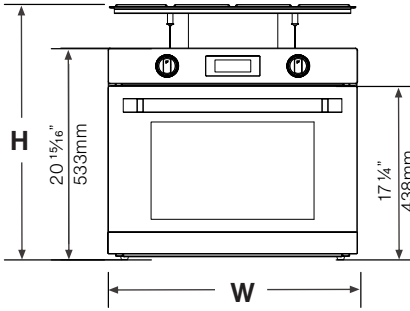
Dry all surfaces and burner box, then spray surfaces with cooking oil substance to preserve the surface from rusting during long term storage. Wipe off oil coating before reuse.

## Troubleshooting

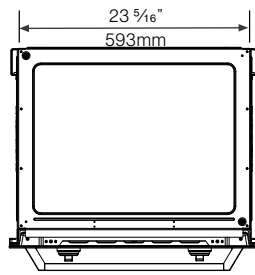
Before calling for service, review this list. It may save you both time and expense. This list includes common experiences that are not the result of defective workmanship or material in your appliance.

Problem	Possible Causes / Solution
<b>Burners do not light</b>	Ensure gas supply valve is open.
	Burner ports or slots are clogged. With the burner off, use a small-gauge wire or needle to clean ports or slots.
	Low gas supply level in cylinder.
<b>Burner flame burns half way around</b>	Moisture is present on the burner, dry burner thoroughly.
	Burner ports or slots are clogged. With the burner off, clean ports with a small-gauge wire or needle to clean ports or slots.
<b>Burner flame is orange</b>	Dust particles in main line. Allow the burner to operate a few minutes until flame turns blue.
	In coastal areas, a slightly orange flame is unavoidable due to salt air.

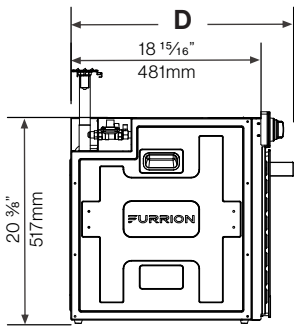
# Specifications



**Front View**



**Top View**



**Side View**

## General Specifications

<b>BTU/HR</b>	9,000 BTU
<b>Fuel</b>	Propane Gas
<b>Inlet Pressure</b>	10" WCI Min to 13.8" WCI Max
<b>Power Input</b>	12 VDC < 2amp
<b>Inner Volume of the Oven</b>	58L
<b>Overall Dimension (W x H x D)</b>	24 3/4" x 25 7/8" x 22 1/8" (628 x 656 x 562mm)

English

Merci d'avoir acheté ce produit Furrion®. Avant d'utiliser votre nouvel appareil, veuillez lire attentivement les présentes consignes. Le présent manuel d'instructions contient des consignes permettant une utilisation, une installation et un entretien de l'appareil en toute sécurité.

Veuillez conserver le présent manuel d'instructions en lieu sûr afin de pouvoir vous y référer ultérieurement. Cela garantit une utilisation en toute sécurité et réduit tout risque de blessures. Veuillez à transmettre le présent manuel à tout nouveau propriétaire de cet appareil.

Le fabricant décline toute responsabilité pour tous dommages résultant du non-respect des présentes consignes.

**AVERTISSEMENT En cas de non-respect strict des consignes contenues dans le présent manuel, cela présente des risques d'incendie ou d'explosion susceptibles d'entraîner des dommages matériels, des blessures corporelles, voire la mort.**

- Ne pas ranger ou utiliser de l'essence ou tout autre liquide ou vapeur inflammable à proximité de cet appareil ou de tout autre appareil.
- **QUE FAIRE SI VOUS SENTEZ UNE ODEUR DE GAZ?**
  - Ne tentez d'allumer aucun appareil.
  - Ne touchez aucun interrupteur électrique.
  - N'utilisez aucun téléphone dans votre véhicule récréatif.
  - Faites évacuer le véhicule récréatif par tous ses occupants.
  - Fermez la soupape du récipient de GPL ou le récipient principal.
  - Appelez immédiatement votre fournisseur de gaz, qui vous donnera des instructions.
  - Si vous ne pouvez joindre votre fournisseur de gaz, appelez les services d'incendie.
- Faites vérifier le système de gaz, faites corriger la source de fuite par un installateur qualifié, par une agence d'entretien, par le fabricant, par le revendeur ou par le fournisseur de gaz.

## Table des matières

<b>Table des matières</b> .....	<b>13</b>
<b>Explication des symboles</b> .....	<b>14</b>
<b>Consignes de sécurité importantes</b> .....	<b>14</b>
Mises en garde générales et consignes de sécurité.....	14
Consignes de sécurité relatives au four.....	15
<b>Présentation du produit</b> .....	<b>16</b>
<b>Installation</b> .....	<b>16</b>
Contenu de l'emballage.....	17
Instructions de découpe de l'armoire.....	17
Installation du four.....	17
Installation du système d'aération.....	17
Installation de la surface de cuisson.....	18
Branchement électrique.....	18
Raccordement au gaz.....	19
Test d'étanchéité.....	19
<b>Utilisation</b> .....	<b>20</b>
Instructions d'allumage.....	20
Instructions d'arrêt.....	20
La flamme du brûleur.....	20
<b>Conseils de cuisson</b> .....	<b>20</b>
Cuisson de pizza.....	20
Cuisson de poisson et de viande.....	21
<b>Nettoyage et Entretien</b> .....	<b>21</b>
Comment maintenir votre four en bon état.....	21
Guide de la grille du four.....	21
Retirer la porte du four.....	22
Remplacement de la lampe du four.....	23
Remplacement du voyant du bouton de commande.....	23
Rangement.....	24
<b>Caractéristiques</b> .....	<b>24</b>
<b>Dépannage</b> .....	<b>24</b>

## Explication des symboles

Le présent manuel contient des consignes de sécurité et des instructions visant à vous aider à éliminer ou à réduire tout risque d'accidents et de blessures. Respectez toujours tous les avertissements de sécurité indiqués par les symboles ci-après. Un terme de mise en garde indique des messages de sécurité ainsi que des messages signalant des risques de dommages matériels, et indique le degré ou le niveau de gravité du danger.

### **DANGER**

Indique une situation de danger immédiat qui, si elle n'est pas évitée, provoque des blessures graves, voire la mort.

### **AVERTISSEMENT**

Indique une situation de danger potentiel qui, si elle n'est pas évitée, peut provoquer des blessures graves, voire la mort.

### **ATTENTION**

Indique une situation de danger potentiel qui, si elle n'est pas évitée, peut provoquer des blessures corporelles mineures ou modérées ou des dommages matériels.

## Consignes de sécurité importantes

Les avertissements et les consignes de sécurité importantes figurant dans le présent guide n'ont pas vocation à couvrir toutes les conditions et situations possibles. Il convient de faire preuve de bon sens, de prudence et user de circonspection lors de l'installation, de l'entretien ou de l'utilisation de l'appareil. Contactez toujours le fabricant en cas de dysfonctionnement de l'appareil.

Veillez lire et respecter toutes les consignes avant d'utiliser cet appareil, afin de prévenir tout risque potentiel d'incendie, d'électrocution, de blessures corporelles ou d'endommagement de l'appareil du fait d'une utilisation incorrecte de celui-ci. Utilisez cet appareil uniquement aux fins pour lesquelles il a été conçu, tel que décrit dans le présent guide.

En cas d'utilisation d'une source d'alimentation externe, l'appareil doit être mis à la terre conformément aux codes de l'État ou à tout autre code ou, en l'absence de tels codes, au code national d'électricité américain (NEC), ANSI/NFPA 70. Ne tentez pas de régler, de réparer, de réviser ou de remplacer une pièce de votre appareil, sauf recommandation expresse dans le présent guide. Tout autre entretien doit être confié à un technicien qualifié.

## Mises en garde générales et consignes de sécurité

### **AVERTISSEMENT**

- Toute installation, tout réglage, toute réparation ou tout entretien incorrect est susceptible d'entraîner des blessures, des dommages matériels, voire la mort. Veuillez consulter le présent manuel. Pour obtenir de l'aide ou des informations supplémentaires, consultez un installateur qualifié, un organisme de services, le fabricant ou le fournisseur de gaz.
- Évitez d'utiliser votre appareil ou tout autre appareil si vous sentez une odeur de gaz. Ne pas supposer que la présence d'une odeur de gaz dans votre VR est un phénomène normal. Chaque fois que vous détectez une odeur de gaz, celle-ci doit être considérée comme constituant un danger de mort et corrigée immédiatement. Éteignez toutes les flammes nues, y compris les cigarettes, puis évacuez du véhicule tous ses passagers. Fermez l'alimentation de gaz au robinet d'arrêt de la bouteille de GPL.

- Si l'utilisateur de cet appareil ne le conserve pas dans l'état dans lequel il a été expédié de l'usine ou si l'appareil n'est pas utilisé uniquement aux fins prévues ou si l'appareil n'est pas entretenu conformément aux instructions du présent manuel, cela peut entraîner un incendie ou une émission de monoxyde de carbone et causer des dommages matériels ou corporels, ainsi que des pertes de vie.

### **AVERTISSEMENT**

#### **RISQUE D'EXPLOSION OU D'INCENDIE**

- Éteignez tous les appareils à gaz et les veilleuses avant de faire le plein de réservoirs d'essence ou de bouteilles de propane liquide, ou lors du déplacement du véhicule.
- Les appareils de cuisson à gaz Furrion doivent être utilisés exclusivement avec du gaz propane liquide et pour une installation dans des véhicules récréatifs uniquement (p. ex. des remorques de tourisme, des autocaravanes, des campeurs en tente, etc.).

### **AVERTISSEMENT**

#### **INTOXICATION AU MONOXYDE DE CARBONE**

- NE PAS utiliser cet appareil pour réchauffer ou chauffer un véhicule. Vous pourriez subir des brûlures ou des blessures, un incendie pourrait se déclarer ou vous risqueriez d'épuiser l'oxygène disponible dans le véhicule.
- Une fenêtre ou un orifice d'aération doit être légèrement ouvert(e) lors de l'utilisation d'un appareil de cuisson. Les flammes de gaz consomment de l'oxygène, qui doit être remplacé afin d'assurer une combustion correcte.
- NE PAS entreposer ou utiliser de l'essence ou d'autres vapeurs et liquides inflammables à proximité de cet appareil ou de tout autre appareil.
- NE PAS utiliser l'appareil s'il est endommagé ou ne fonctionne pas correctement.
- Ne jamais essayer de réparer l'appareil par vous-même. Toute réparation ou installation de cet appareil doit être

effectuée par un installateur qualifié, par une agence d'entretien ou par le fournisseur de gaz et conformément aux instructions du présent manuel. Toute réparation et tout entretien de votre appareil par un technicien ou par une agence d'entretien non agréé(e) peut entraîner une perte de son intégrité ainsi que des dommages matériels, des blessures graves, voire la mort.

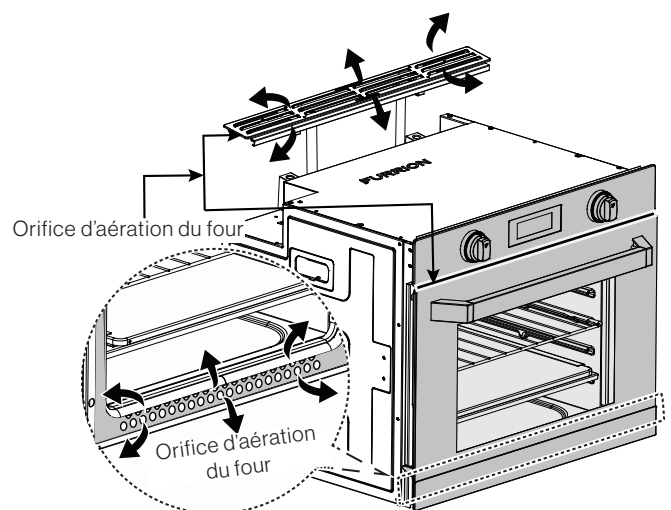
- Demandez à votre détaillant de vous montrer l'emplacement du robinet principal d'arrêt de gaz et comment le fermer en cas d'urgence.
- Utilisez votre appareil uniquement aux fins pour lesquelles il a été conçu.
- Il convient de faire savoir aux enfants que l'appareil n'est pas un jouet. Ils ne doivent pas être autorisés à jouer avec les commandes de l'appareil ou avec toute autre pièce de celui-ci. Ne laissez personne se tenir debout ou s'asseoir sur l'appareil. Cela peut non seulement endommager l'appareil, mais également entraîner des blessures corporelles.
- Ne pas ranger d'objets susceptibles d'intéresser des enfants dans des armoires situées au-dessus ou à proximité de l'appareil. Les enfants qui grimpent sur l'appareil pour atteindre des objets risquent de se blesser gravement.
- Tous les boutons de commande doivent être éteints lorsque l'appareil n'est pas utilisé. Il y a risque d'incendie ou de brûlure si un brûleur est accidentellement laissé allumé.
- Si un brûleur s'éteint (après l'allumage initial ou à la suite d'une panne accidentelle), éteignez tous les boutons du brûleur et attendez cinq (5) minutes avant de tenter de rallumer le brûleur.
- NE PAS ranger de matériaux inflammables sur, dans ou à proximité de l'appareil. Toute émanation est susceptible de créer des risques d'explosion et/ou d'incendie.
- Ne pas porter de vêtements amples ou de vêtements à manches longues lors de l'utilisation de l'appareil. Si ceux-ci entrent en contact avec la flamme nue du brûleur, ils risquent de s'enflammer et de provoquer de graves brûlures.
- Utilisez uniquement des maniques sèches pour retirer les ustensiles chauds. L'utilisation de maniques humides sur des surfaces chaudes peut provoquer des brûlures aux mains. Ne pas utiliser de serviette ni de tissu encombrant en guise de manique. Le tissu pourrait entrer en contact avec une flamme nue et prendre feu.
- Ne jamais chauffer un récipient non ouvert. L'accumulation de pression dans le récipient est susceptible de provoquer son explosion.
- Ne pas utiliser d'eau sur les feux de friture. Ne jamais saisir une poêle en feu. Étouffez la poêle en feu à l'aide d'un couvercle ou d'une poêle plate. La graisse enflammée à l'extérieur de la poêle peut être éteinte à l'aide de bicarbonate de soude ou d'un extincteur à poudre chimique à usages multiples.
- Cet appareil est conçu pour être intégré dans une structure d'armoire uniquement. Il n'a pas vocation à être fixé à la structure du bâtiment.

## Consignes de sécurité relatives au four

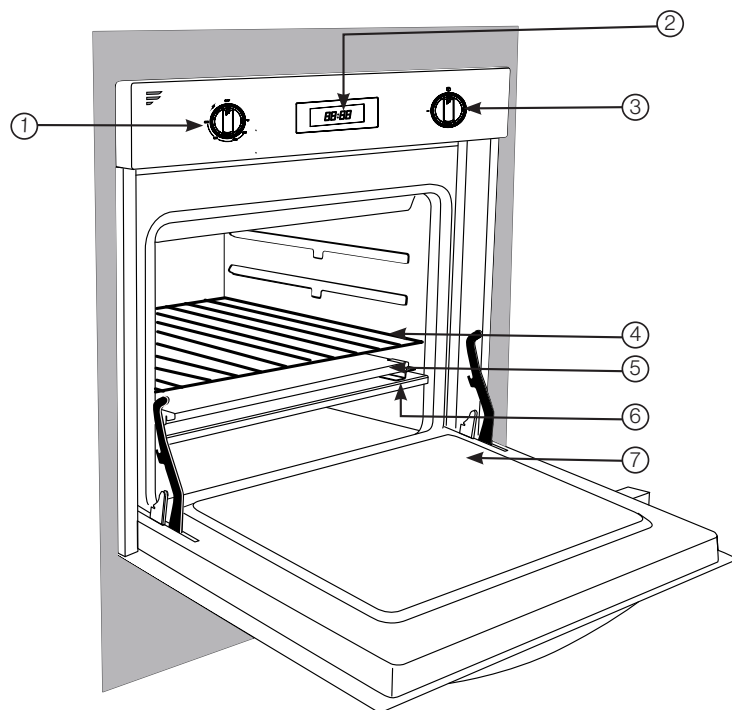
- NE PAS TOUCHER LES ÉLÉMENTS CHAUFFANTS

**OU LES SURFACES INTÉRIEURES DU FOUR:** Les éléments chauffants peuvent être chauds même s'ils sont de couleur sombre. Les surfaces intérieures d'un four deviennent suffisamment chaudes pour occasionner des brûlures. Pendant et après utilisation, ne pas toucher ou laisser des vêtements ou tout autre matériau inflammable entrer en contact avec les éléments chauffants ou avec les surfaces intérieures du four, jusqu'à refroidissement suffisant. Les autres surfaces de l'appareil peuvent devenir suffisamment chaudes pour occasionner des brûlures - parmi celles-ci (identification des surfaces : par exemple, les orifices d'aération du four et les surfaces proches de ces orifices, les portes du four et les fenêtres des portes du four).

- NE PAS toucher la surface extérieure de la porte du four ou de l'évent du four en cours d'utilisation. Ces zones peuvent devenir suffisamment chaudes pour occasionner des brûlures. Pendant et après utilisation, ne pas laisser de vêtements ou tout autre matériau inflammable entrer en contact avec ces zones jusqu'à refroidissement suffisant.
- NE PAS couvrir les trous d'aération dans le support du diffuseur de flamme (tablette au-dessus du brûleur du four). La circulation d'air à l'intérieur du four sera interrompue et le temps de cuisson sera différent de la normale, les aliments peuvent être brûlés ou insuffisamment cuits.
- NE PAS utiliser le four comme espace de rangement.
- Si la veilleuse du four s'éteint après l'allumage initial ou à la suite d'une panne accidentelle, éteindre le bouton du four et attendre cinq (5) minutes avant de tenter à nouveau d'allumer le four.
- Placez toujours les grilles du four à l'endroit souhaité pendant que le four est froid. Si la grille doit être déplacée alors que le four est chaud, ne pas laisser la manique entrer en contact avec l'élément chauffant chaud du four.
- Faites preuve de prudence lorsque vous ouvrez la porte du four, laissez l'air chaud ou la vapeur s'en échapper avant d'en retirer ou d'y replacer des aliments.
- Ne pas couvrir les orifices d'aération du four en cours d'utilisation. En recouvrant les orifices d'aération, on limite la circulation de l'air de combustion vers le brûleur du four et on risque de provoquer une mauvaise combustion et la formation de monoxyde de carbone.



## Présentation du produit



Article	Description
①	Bouton de commande du four
②	Écran DEL
③	Bouton de la minuterie Règle la minuterie jusqu'à 23 heures 59 minutes.
④	Grille réglable du four
⑤	Plateau d'égouttage
⑥	Plaque de cuisson
⑦	Porte du four

Français

## Installation

### ⚠ AVERTISSEMENT

#### INCENDIE, EXPLOSION, BLESSURE PAR BRÛLURE, INTOXICATION AU MONOXYDE DE CARBONE

- L'appareil de cuisson doit être complètement séparé et scellé des autres dispositifs de circulation d'air ou de consommation d'air tels que, mais sans s'y limiter, les fournaies, les fours à micro-ondes, les sècheuses, les ventilateurs de refroidissement et les portes ou tiroirs des armoires communes. Le non-respect de cette consigne affectera l'alimentation en air de combustion de l'appareil ou des appareils en créant un courant d'air négatif ou positif.
- Le TIRAGE NÉGATIF causé par le déplacement de l'air des appareils électroménagers peut aspirer la flamme supérieure du brûleur vers la surface de cuisson, ce qui peut la détériorer ou la brûler, causer une explosion ou une accumulation de monoxyde de carbone ou causer l'apparition d'un risque d'explosion ou l'endommagement de la surface de cuisson.
- Le TIRAGE POSITIF peut éteindre la flamme du brûleur supérieur pendant l'utilisation, ce qui peut entraîner un risque d'explosion et d'incendie ou de blessures pour les occupants du véhicule.
- NE PAS utiliser l'appareil par vent excessif, car cela pourrait causer un tirage négatif ou positif.

### ⚠ AVERTISSEMENT

L'installation de cet appareil doit être effectuée conformément aux instructions écrites fournies dans ce manuel. Aucun agent, représentant ou employé de Furrion ou d'autres personnes n'a le pouvoir de changer, modifier ou renoncer à toute disposition des instructions contenues dans ce manuel.

**REMARQUE :** Assurez-vous que le comptoir, les matériaux environnants et les liants ont une température nominale d'au moins 203 °F (95 °C).

L'installation doit satisfaire aux prescriptions des codes locaux ou, en l'absence de tels codes, consulter la dernière édition de :

Aux États-Unis :

- Norme pour les véhicules récréatifs NFPA 1192.
- Code national du gaz combustible ANSI Z223.1/NFPA 54.

Au Canada, l'installation doit satisfaire aux prescriptions des :

- Norme CAN/CSA Z-240.4.2-08, Exigences relatives à l'installation des appareils et équipements au propane dans les véhicules récréatifs.
- Tout code ou règlement local en vigueur.



## Contenu de l'emballage

Assurez-vous que tous les éléments suivants sont présents dans l'emballage. Si un élément est endommagé ou manquant, contactez votre revendeur.

- Four à gaz x 1
- Grille x 1
- Plateau d'égouttage x 1
- Plateau de cuisson x 1
- Manuel d'instructions x 1
- Dépliant de garantie x 1

## Instructions de découpe de l'armoire

Pour un bon fonctionnement de votre appareil de cuisson, l'armoire doit être correctement construite et centrée par rapport au dessus du comptoir et à la façade de l'armoire. Pour un bon fonctionnement de ces appareils, le four doit être à niveau.

**REMARQUE :** Lorsque l'appareil est utilisé avec une surface de cuisson à gaz ou à induction Furrion, la découpe du boîtier doit être située en fonction du dégagement minimal par rapport aux matériaux combustibles (dégagement minimal par rapport aux matériaux combustibles : 2 pouces des côtés arrière, gauche et droit (voir la dimension D à la figure 1) et 30 pouces du dessus si une surface de cuisson a été installée). Lors de la planification de l'emplacement, envisagez la possibilité de présence des rideaux ou d'autres matériaux combustibles autour du four.

## Four à gaz avec surface de cuisson à gaz ou électrique (Fig. 1)

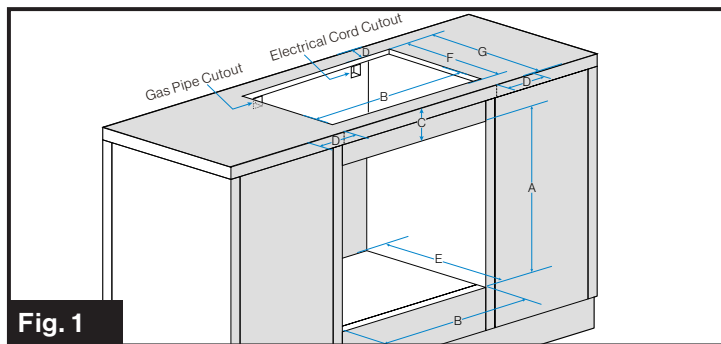


Fig. 1

A	B	C	D	E	F	G
20½ po 525 mm	23½ po 597 mm	4 po 101 mm	Min. 2 po 51 mm	Min. 16 ½ po 522 mm	16¾ po 426 mm	Min. 18 ¾ po 467 mm

Distance minimale du sol à la partie inférieure de la découpe formant une ouverture : 4 po (101 mm).

## Installation du four

Lorsque l'armoire a été préparée selon les dimensions données ci-dessus et que le conduit de gaz est en place.

1. Retirez le four de son emballage et glissez-le dans l'ouverture de l'armoire. (Fig. 2)

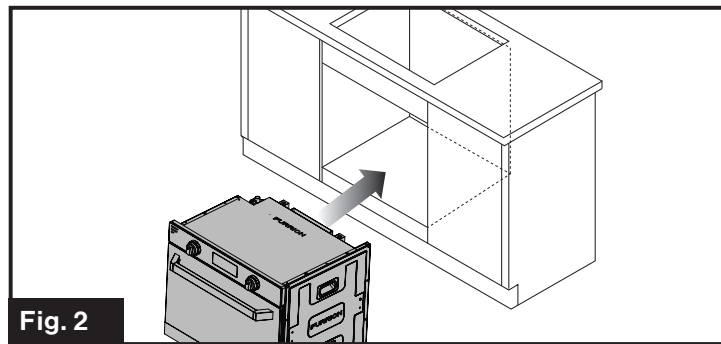


Fig. 2

2. Assurez-vous que le four est à niveau sur les deux côtés et de l'avant vers l'arrière.
3. Ouvrez la porte du four et fixez fermement le four en place à l'aide de quatre vis (non fournies). (Fig. 3)

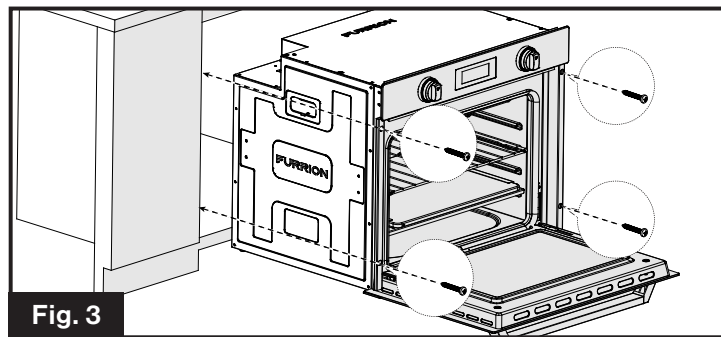


Fig. 3

## Installation du système d'aération

Après avoir bien fixé le four dans l'armoire, installez le conduit d'aération à travers la découpe supérieure de l'armoire.

1. Installez l'ensemble du conduit extérieur d'aération sur le dessus de l'unité du four. Assurez-vous que le conduit extérieur d'aération glisse par l'ouverture du conduit central du four. Assurez-vous que l'ensemble du conduit extérieur d'aération est placé de telle manière que le support de bord de la table de cuisson soit orienté vers l'avant. (Fig 4)

## ⚠ AVERTISSEMENT

Le chevauchement minimal entre le conduit extérieur d'aération et le conduit central d'aération du four est de ¾ po. Consultez la Fig. 4 pour les instructions d'installation.

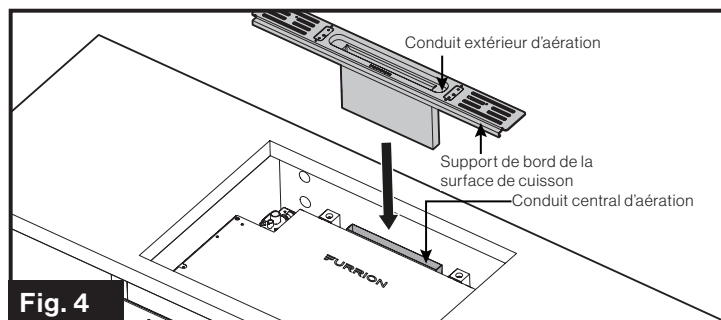
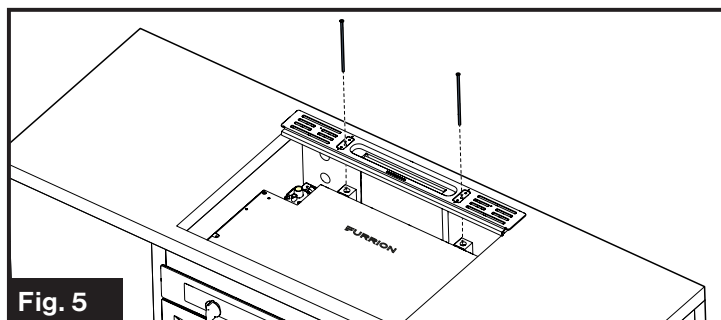


Fig. 4

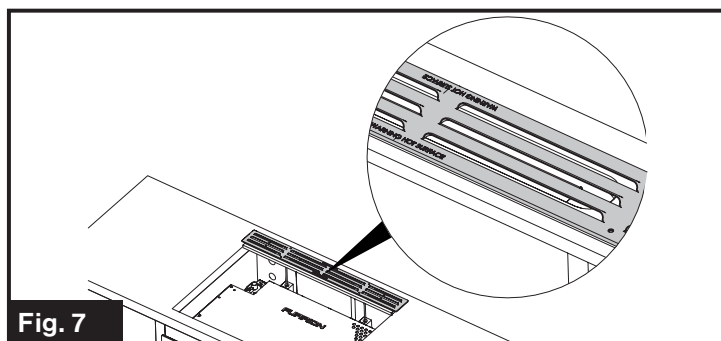
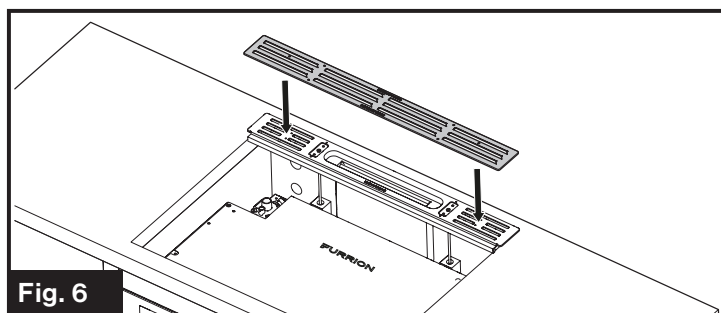


- Fixez le conduit d'aération au four à l'aide des deux vis fournies (M4 x 140 mm) et serrez avec un tournevis. Ne pas trop serrer. (Fig. 5)

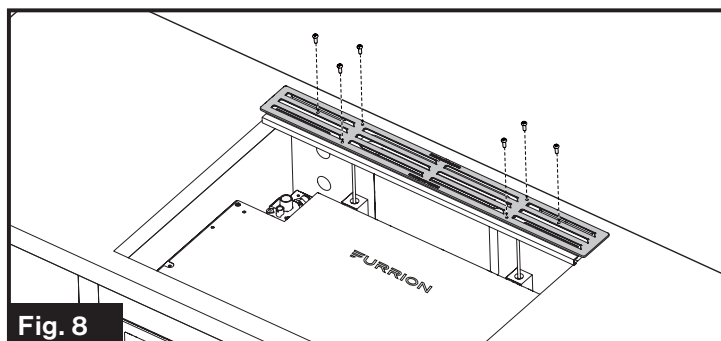


- Placez le couvercle du conduit d'aération sur l'ensemble du conduit d'aération. Assurez-vous que les persiennes du couvercle d'aération sont orientées vers l'avant. (Fig. 6 et Fig. 7)

**REMARQUE :** Le conduit d'aération est muni de trous de vis de fixation de la garniture d'aération pour que les persiennes soient orientées vers l'avant.



- Fixez le couvercle de l'aération sur l'ensemble de l'aération avec les six vis fournies (M3 x 8 mm). (Fig. 8)



## Installation de la surface de cuisson

Ce four est conçu et peut être utilisé avec une table de cuisson à gaz ou électrique Furrion, veuillez consulter le manuel d'instructions correspondant pour plus de détails sur la façon de construire l'armoire et d'installer la surface de cuisson sur le four. (Fig. 9 et Fig. 10)

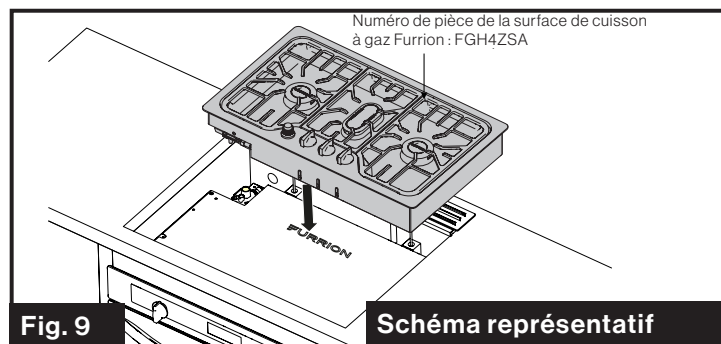


Fig. 9

Schéma représentatif

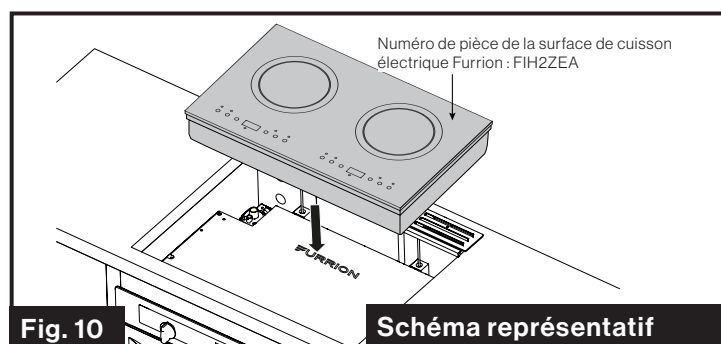


Fig. 10

Schéma représentatif

## Branchement électrique

- L'alimentation électrique de ce four est de 12 V. Raccordez les composants ci-dessous séparément. (Fig. 11)  
**REMARQUE :** Veillez à raccorder les fils avec la polarité correcte. Le noir est « + » et le blanc est « - ».
- Alimentation 12 V pour :** Allumeur, éclairage du four, ventilateur de refroidissement, minuterie et affichage électroniques, contrôle du thermostat à 140 °F (60 °C).
  - Passez le câble à travers la découpe du cordon électrique sur le coin supérieur arrière droit de l'armoire, utilisez un fusible de 15 A à la source d'alimentation pour vous protéger.
  - La plaque signalétique est située sur le dessus du four, consultez l'étiquette pour les spécifications techniques.

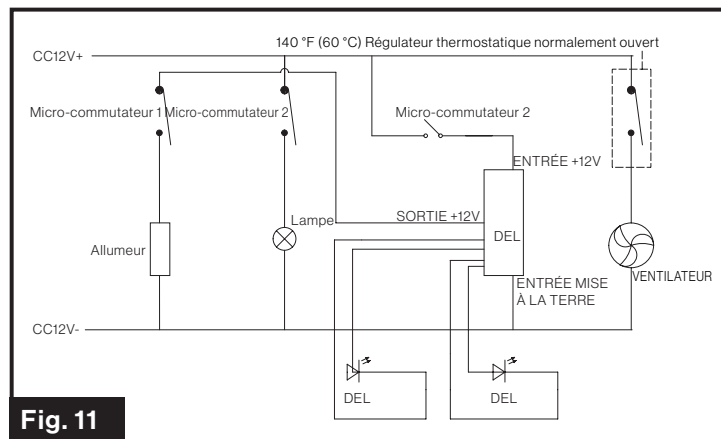


Fig. 11

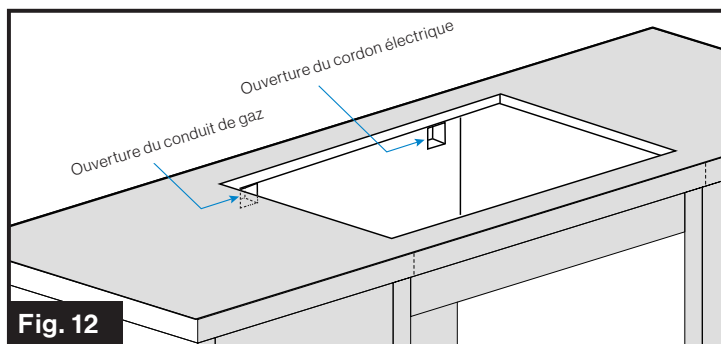
## Raccordement au gaz

### ⚠ AVERTISSEMENT

Le tuyau d'alimentation en gaz doit être installé à distance des couteaux en contact ou coupant les conduites de gaz.

Raccordez une conduite d'alimentation au propane à l'aide d'un raccord Flare femelle  $\frac{3}{8}$  po au four dans le coin supérieur gauche arrière de l'armoire. (Fig. 12) Serrez le joint de la conduite de gaz au four à l'aide de deux clés.

**IMPORTANT :** Laissez un espace suffisant autour de la conduite d'alimentation en gaz en cas de pliage ou d'endommagement pendant l'installation. Assurez-vous que la conduite d'alimentation en gaz ne peut entrer en contact avec aucune pièce mobile après l'installation. Assurez-vous que toutes les ouvertures dans l'armoire autour de la conduite de gaz sont scellées au moment de l'installation.



## Vérification de l'étanchéité des raccordements

Une fois l'installation terminée, vérifiez l'étanchéité des raccords de tuyauterie à l'aide d'une solution de détection des fuites de gaz. Ne jamais utiliser de flamme.

## Test d'étanchéité

### ⚠ AVERTISSEMENT

#### INCENDIE OU EXPLOSION

- Éteignez toutes les flammes nues.
- Ne JAMAIS effectuer un test d'étanchéité lorsque vous fumez. Ne jamais utiliser de flamme.
- N'utilisez pas l'appareil avant d'avoir vérifié l'étanchéité du raccord et de vous assurer qu'il ne fuit pas.
- Effectuez un test de pression et d'étanchéité avec une pression entre 11 et 13,8 WC (2737,24 à 3433,99 Pa).

### ⚠ AVERTISSEMENT

- Des fuites de gaz peuvent se produire dans votre système et entraîner une situation dangereuse. Effectuez toujours un test d'étanchéité pour détecter d'éventuelles fuites, conformément aux instructions du fabricant, après l'installation et avant toute utilisation.
- Les fuites de gaz peuvent ne pas être détectées uniquement par l'odeur. Les fournisseurs de gaz vous recommandent d'acheter et d'installer un détecteur de gaz approuvé UL.

### ⚠ AVERTISSEMENT

- NE PAS utiliser d'allumettes, de bougies ou d'autres sources d'inflammation pour vérifier les fuites de gaz.
- Ne pas fumer pendant le test d'étanchéité.
- Ne jamais effectuer le test d'étanchéité avec une flamme nue.

Veillez suivre les étapes ci-dessous pour effectuer le test d'étanchéité de l'appareil :

1. Éteignez toutes les flammes nues.
2. Fermez le robinet d'alimentation en gaz et les boutons de commande.
3. Préparez une solution savonneuse en mélangeant à parts égales du détergent doux ou du savon liquide et de l'eau.
4. Vaporisez la solution savonneuse sur tous les raccords de gaz et les conduites de gaz de l'appareil.
5. Ouvrez le robinet d'alimentation en gaz et vérifiez l'absence de bulles dans tous les raccords de gaz :
  - Si aucune bulle n'est apparue, il n'y a pas de fuite de gaz dans l'appareil.
  - Si des bulles sont apparues, un point de fuite se trouve là où il y a des bulles.
6. Si une fuite de gaz est détectée, resserrez le raccord, puis répétez les étapes ci-dessus. Si la fuite se trouve sur le raccord de la conduite d'alimentation en gaz, remplacez la conduite d'alimentation en gaz et répétez les étapes ci-dessus.

**REMARQUE :** Il est également recommandé d'effectuer un test d'étanchéité au moins une fois par an afin de vérifier si la bouteille de gaz propane a été débranchée ou non.

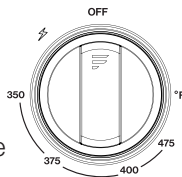
# Utilisation

## ⚠ AVERTISSEMENT

Ne placez pas vos bras et votre visage directement au-dessus de la zone de cuisson pendant le fonctionnement de l'appareil.

## Instructions d'allumage

1. Avant l'allumage, remettez les boutons de commande de gaz sur la position **OFF**.
2. Vérifiez que la vanne d'entrée de gaz principale est **OUVERTE**.
3. Gardez la porte du four en position ouverte pour que la veilleuse et le brûleur soient allumés jusqu'à ce que le processus d'allumage soit complet.
4. Poussez et tournez le bouton de commande du gaz dans le sens inverse des aiguilles d'une montre ⚡ jusqu'à ce que la veilleuse s'allume. (Vous entendez un clic lorsque le bouton est enfoncé.)
5. Si l'allumage n'a pas lieu dans les 5 secondes, éteignez le bouton de commande du gaz, patientez pendant 5 minutes, puis répétez la procédure d'allumage.
6. Une fois que la veilleuse est allumée, maintenez le bouton de commande du four enfoncé pendant 10 à 15 secondes, puis relâchez le bouton et vérifiez que la veilleuse reste allumée. Répétez les étapes ci-dessus si la veilleuse s'éteint après avoir relâché le bouton. (Gardez la porte du four ouverte pendant ce processus)
7. Après l'allumage de la veilleuse et le relâchement du bouton de commande, tournez le bouton de commande dans le sens inverse des aiguilles d'une montre jusqu'au réglage de température souhaité.
8. Vérifiez visuellement que le brûleur du four s'est allumé une fois que le bouton de commande a été réglé sur la température souhaitée. La flamme du brûleur devrait s'allumer en quelques secondes.
9. Après avoir vérifié que le brûleur est allumé, fermez



la porte du four pour continuer le processus de préchauffage.

## Instructions d'arrêt

1. Pour éteindre le brûleur, poussez le bouton de commande du four et tournez dans le sens horaire jusqu'à la position **OFF**. Éteignez toutes les flammes de veilleuse pendant le ravitaillement en carburant ou le déplacement.
2. Coupez l'alimentation principale en gaz.
3. Avant le transport, coupez l'alimentation principale en gaz au niveau de la vanne d'arrêt.
4. Le ventilateur peut continuer à fonctionner pendant 10 à 15 minutes après l'arrêt du four.

## La flamme du brûleur

Les flammes doivent ressembler à la flamme correcte montrée dans le schéma ci-dessous. (Fig. 13)

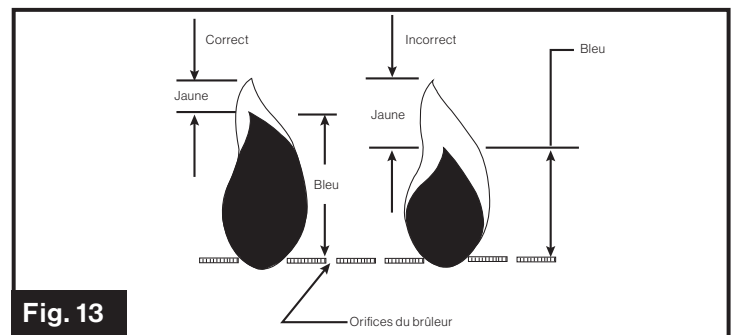


Fig. 13

Une flamme correcte doit être bleue avec une pointe jaune. Certaines pointes jaunes sur des flammes allant jusqu'à 1 pouce de longueur sont acceptables tant qu'aucun dépôt de carbone ou de suie n'apparaît. Si les flammes sont excessivement jaunes et irrégulières, il se peut que les résidus d'huile ne soient pas complètement brûlés, que le venturi soit bouché ou qu'il ne soit pas correctement positionné sur les orifices.

# Conseils de cuisson

Le four offre une large gamme de modes de cuisson vous permettant de faire cuire tout type d'aliments de la meilleure façon possible. Avec le temps, vous apprendrez à tirer le meilleur parti de cet appareil de cuisson polyvalent. Les instructions suivantes ne constituent que des directives susceptibles d'être modifiées en fonction de votre expérience personnelle.

## ⚠ AVERTISSEMENT

### Risque d'intoxication alimentaire

Ne laissez pas les aliments reposer dans le four plus d'une heure avant ou après la cuisson. Cela peut entraîner une intoxication alimentaire.

## Cuisson de pizza

Pour de savoureuses pizzas croustillantes :

- Glissez le plateau de cuisson dans le four.
- Préchauffez le four pendant au moins 20 minutes.
- Utilisez une poêle à pizza de couleur claire et placez-la sur la grille fournie avec le four. Si la lèchefrite est utilisée, le temps de cuisson sera prolongé, ce qui rendra difficile l'obtention d'une croûte crouillante.
- N'ouvrez pas souvent la porte du four pendant la cuisson de la pizza.

## Cuisson de poisson et de viande

Lorsque vous préparez de la viande blanche, de la volaille ou du poisson, utilisez des réglages de température compris entre 350 °F (176 °C) et 425 °F (218 °C).

Pour les viandes rouges qui doivent être bien cuites à l'extérieur tout en étant tendres et juteuses à l'intérieur, il est judicieux de commencer par un réglage de température élevée « 400 °F (205 °C)~425 °F (218 °C) » pendant un court moment, puis

réduisez la température du four par la suite.

En règle générale, plus le rôti est gros, plus le réglage de la température est bas. Placez la viande au centre de la grille, puis placez la lèchefrite en dessous pour récupérer la graisse. Veillez à placer le plateau d'égouttage au centre du four. Si vous souhaitez augmenter la quantité de chaleur par le bas, utilisez les grilles de hauteurs inférieures. Pour les rôtis savoureux (en particulier du canard et du gibier sauvage), assaisonnez la viande avec du saindoux ou du bacon.

## Nettoyage et Entretien

### Comment maintenir votre four en bon état

Avant de nettoyer ou d'entretenir votre four, débranchez-le de l'alimentation électrique.

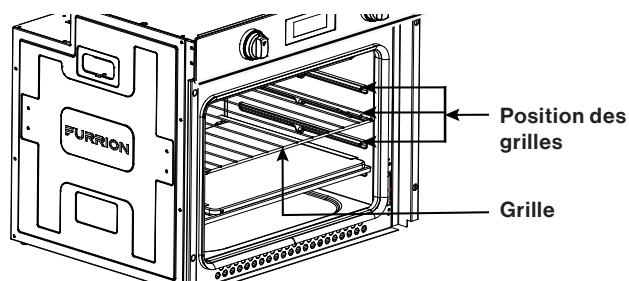
Afin de prolonger la durée de vie de votre four, il doit être nettoyé fréquemment. Rappelez-vous :

- N'utilisez pas d'appareil à vapeur pour nettoyer l'appareil.
- Les pièces en acier émaillé ou inoxydable doivent être lavées à l'eau tiède sans utiliser de poudres abrasives ou de substances corrosives qui pourraient les abîmer; l'acier inoxydable pourrait se tacher. Si ces taches sont difficiles à retirer, utilisez des produits spéciaux disponibles sur le marché. Après le nettoyage, il est conseillé de rincer abondamment et de sécher.
- L'intérieur du four doit être nettoyé de préférence après utilisation, quand il est encore chaud, avec de l'eau chaude et du savon; le savon doit être rincé et l'intérieur doit être bien sec. Évitez d'utiliser des détergents abrasifs (par exemple des poudres de nettoyage, etc.) et des éponges abrasives pour la vaisselle ou des acides (tels que des détartrants calcaires, etc.) car ils pourraient endommager l'émail. Si les taches de graisse et la saleté sont particulièrement difficiles à retirer, utilisez un produit spécial pour le nettoyage du four en suivant les instructions fournies sur l'emballage.
- De la condensation peut se former si vous utilisez votre four pendant une période prolongée. Essayez-la à l'aide d'un chiffon doux.
- L'ouverture du four est entourée d'un joint en caoutchouc qui garantit son parfait fonctionnement. Vérifiez régulièrement l'état de ce joint. Si nécessaire, nettoyez-le et évitez d'utiliser des produits ou objets abrasifs pour le faire. En cas d'endommagement, veuillez vous adresser au centre de service après-vente le plus proche. Nous vous recommandons d'éviter d'utiliser le four jusqu'à ce qu'il ait été réparé.
- Ne recouvrez jamais le fond du four d'une feuille d'aluminium, car l'accumulation de chaleur qui en résulterait pourrait compromettre la cuisson et même endommager l'émail.
- Nettoyez la porte vitrée avec des produits non abrasifs ou des éponges et essuyez-la avec un chiffon doux.

### Guide de la grille du four

La grille du four est munie d'un système de verrouillage anti-basculement.

- Pour retirer la grille, poussez à fond à l'intérieur, puis détachez les languettes arrière du canal de verrouillage en les poussant vers le haut et en les faisant glisser vers l'avant.
- Pour insérer la grille du four, placez-la juste au-dessus de la position souhaitée. La grille doit glisser facilement vers l'arrière et de placera une fois complètement enfoncée. Pour verrouiller la grille en position, tirez-la légèrement vers l'avant, puis poussez-la pour verrouiller la partie avant de la grille. (Voir la position de la grille ci-dessous.)



## Retirer la porte du four

### ⚠ AVERTISSEMENT

Lors du retrait de la porte :

- Ne pas placer un poids excessif sur une porte de four ouverte et ne pas se tenir debout sur une porte de four ouverte car, dans certains cas, la cuisinière est susceptible de se renverser, de se casser ou d'être endommagée au point de rendre la cuisinière trop dangereuse, ou de blesser gravement l'utilisateur.
- Lorsque vous ouvrez la porte du four, laissez la vapeur et l'air chaud s'en échapper avant de faire entrer les mains dans le four pour vérifier, y ajouter ou en retirer des aliments.
- Assurez-vous que le four est refroidi et éteint avant de retirer la porte. Le non-respect de cette consigne peut entraîner des risques d'électrocution ou de brûlures.
- La porte du four est lourde et fragile. Utilisez les deux mains pour retirer la porte du four. L'avant de la porte est en verre. À manipuler avec précaution afin de prévenir tout risque de bris.
- Saisissez uniquement les côtés gauche et droit de la porte du four. Ne pas saisir la poignée, car celle-ci risquerait de se balancer et de provoquer des dommages ou des blessures.
- Le fait de ne pas saisir la porte du four correctement et fermement peut entraîner des risques de blessures corporelles ou endommager le produit.
- Afin d'éviter des blessures occasionnées par la fermeture de la ferrure de charnière, assurez-vous que les deux leviers sont bien en place avant de retirer la porte (Fig. 15a). En outre, ne pas ouvrir ou fermer de force la porte : la charnière est susceptible d'être endommagée et d'entraîner des risques de blessures.

1. Veillez à lire l'**AVERTISSEMENT** avant de tenter de retirer la porte du four.
2. Ouvrez la porte jusqu'à sa position complètement ouverte. (Fig. 14)

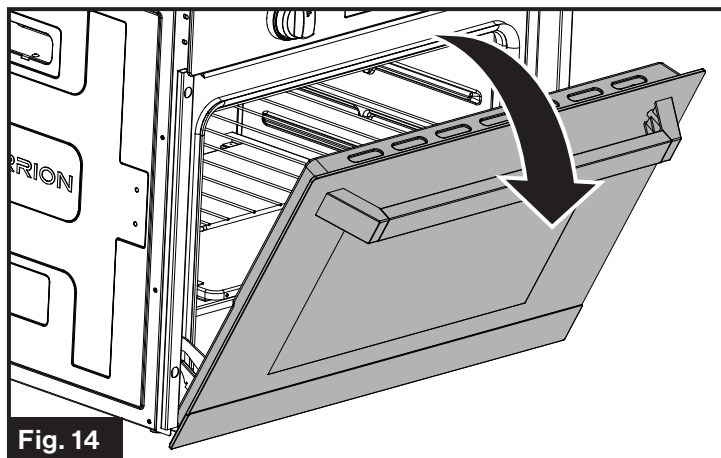


Fig. 14

3. Tournez la charnière (une de chaque côté) vers vous pour que le levier s'enclenche. (Fig. 15)

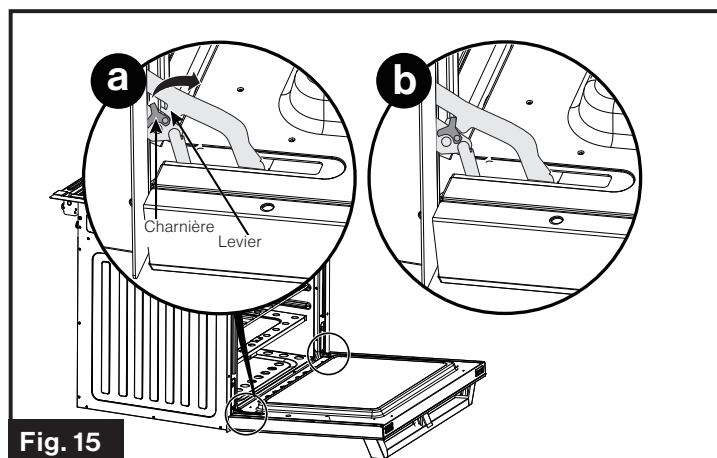


Fig. 15

4. Fermez hermétiquement la porte. (Fig. 16)

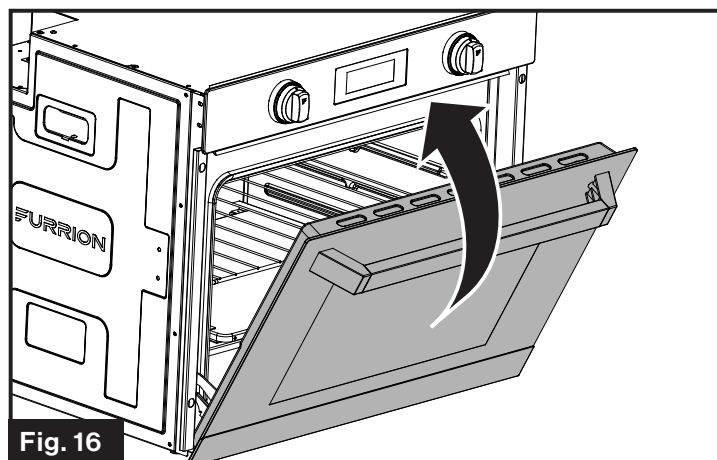


Fig. 16

5. En tenant fermement la porte à gauche et à droite avec les deux mains, tirez la porte directement hors des fentes de la charnière. (Fig. 17 et Fig. 18)

### ⚠ AVERTISSEMENT

Tenez fermement, la porte est lourde.

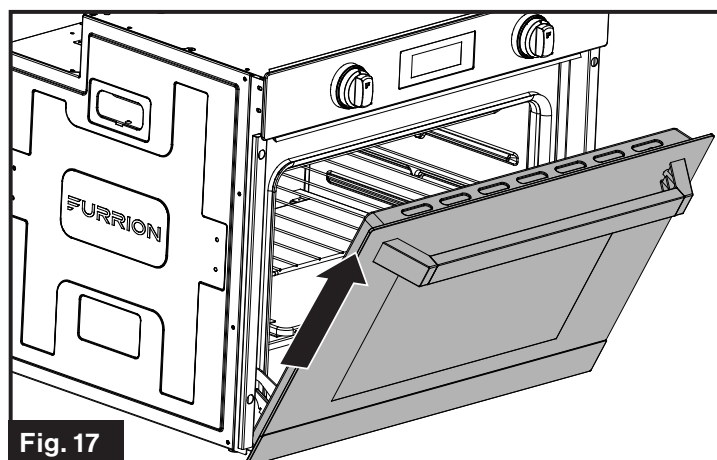


Fig. 17



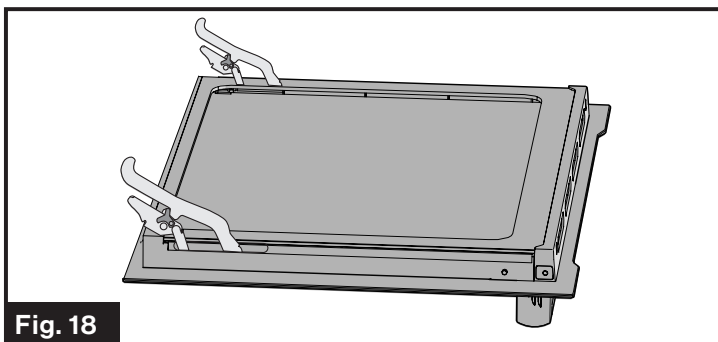


Fig. 18

6. Placez la porte sur un endroit plat protégé afin de ne pas endommager la porte vitrée.
7. Suivez les étapes ci-dessous pour la rattacher (Fig. 19) :
  - Insérez la charnière dans la fente supérieure comme indiqué à la Fig. 19 **a**.
  - Ouvrez la porte jusqu'à sa position d'ouverture totale comme indiqué à la Fig. 19 **b**. Assurez-vous que le bras de la charnière s'est détachée du levier comme indiqué à la Fig. 19 **c**.

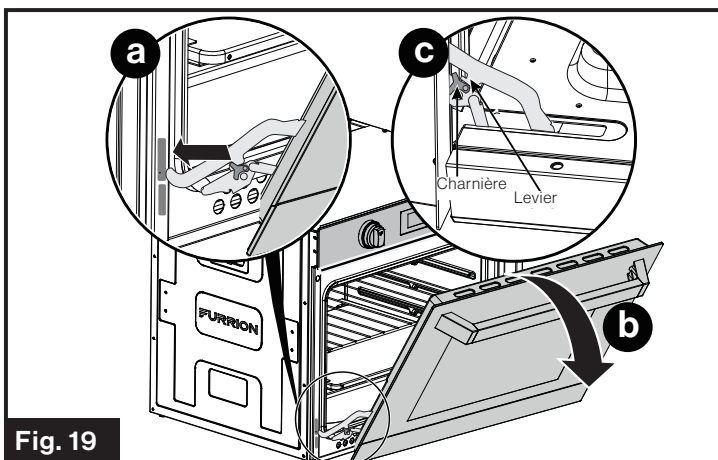


Fig. 19

## Remplacement de la lampe du four

1. Débranchez le four de l'alimentation électrique par le réseau électrique ou par un fusible.
2. Assurez-vous que le four est refroidi avant de procéder au remplacement de la lampe du four.
3. Retirez le couvercle en verre de la douille de la lampe. (Fig. 20)

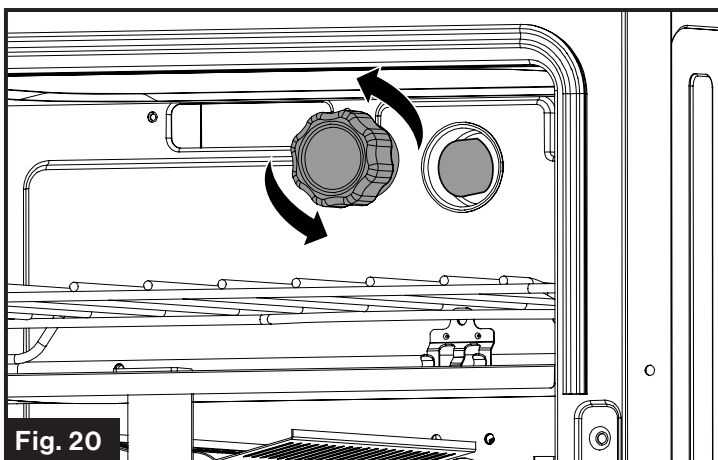


Fig. 20

4. Retirez la lampe, puis remplacez-la par une lampe résistante aux températures élevées (572 °F) présentant les caractéristiques suivantes :
  - Tension : 12 V
  - Puissance en watts : 20 W
  - Type : G4
  - Type de lampe : Halogène
5. Remettez en place le couvercle en verre.
6. Rebranchez le four.

Pour passer commande de l'ampoule de rechange du four Furrion, veuillez contacter le service technique Furrion pour obtenir de l'aide.

## Remplacement du voyant du bouton de commande

1. Débranchez le four de l'alimentation électrique à l'aide de l'interrupteur servant à brancher l'appareil au réseau électrique ou du fusible. Retirez le bouton de commande qui présente le voyant défectueux. (Fig. 21)

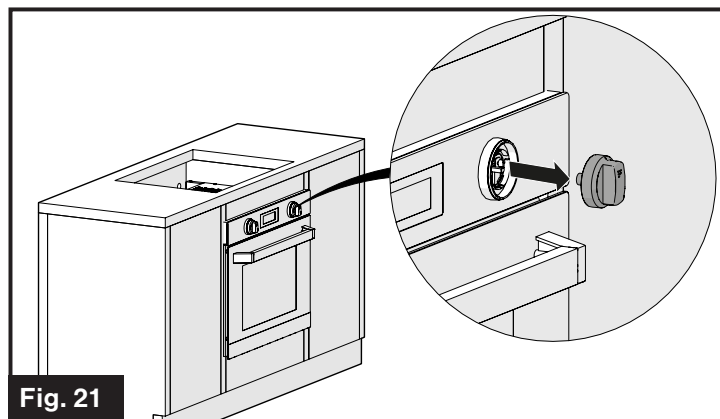


Fig. 21

2. Retirez les deux vis qui retiennent le voyant DEL à l'aide d'un tournevis Phillips. (Fig. 22)

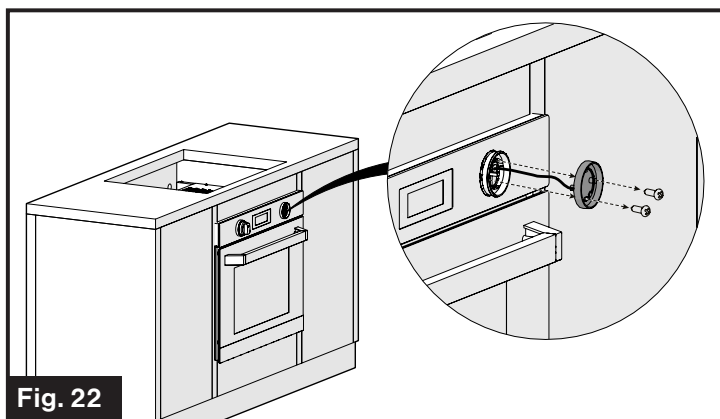


Fig. 22

- Retirez le module DEL, puis débranchez le câble du socle du module DEL. (Fig. 23)

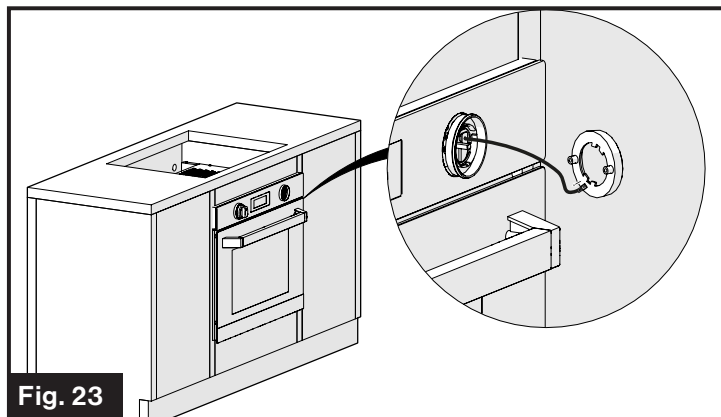


Fig. 23

- Branchez le connecteur de faisceaux de câbles dans le nouveau module DEL.
- Refixez le module DEL à la console à l'aide des 2 vis retirées à l'étape 3. Assurez-vous que les câbles ne sont pas pincés au cours de ce processus.
- Refixez le bouton de commande en alignant la tige de la commande sur l'ouverture située dans le logement du bouton de commande et en appuyant dessus pour qu'il se remette en place.

## Rangement

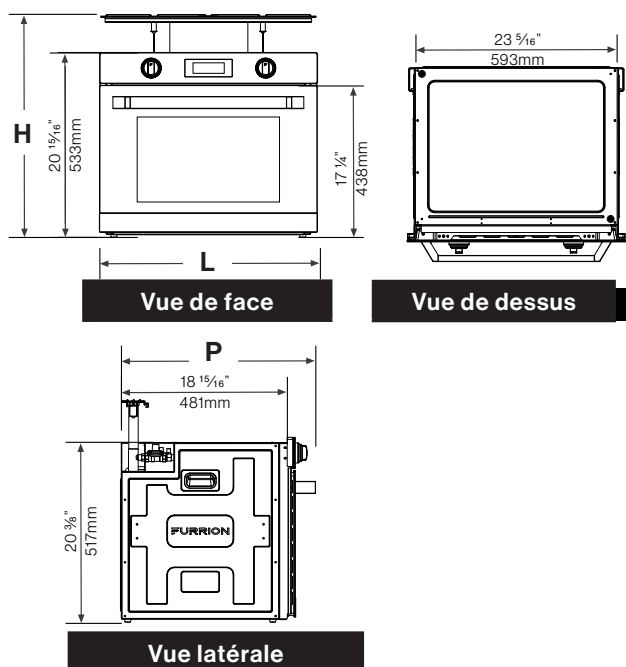
Séchez toutes les surfaces ainsi que le boîtier du brûleur, puis pulvérisez une substance à base d'huile de cuisson sur les surfaces afin de prévenir toute formation de rouille sur celles-ci en cas de rangement prolongé. Essuyez la couche d'huile avant toute nouvelle utilisation.

## Dépannage

Avant de faire appel au service technique, veuillez consulter la liste ci-après. Cette démarche peut vous faire gagner du temps et économiser de l'argent. Cette liste répertorie les expériences courantes qui ne résultent pas d'un défaut de fabrication ou d'un matériau défectueux dans votre appareil.

Problème	Causes possibles / Solution
Les brûleurs ne s'allument pas	Assurez-vous que le robinet d'alimentation en gaz est ouvert.
	Les orifices ou fentes du brûleur sont bouchés. Le brûleur étant éteint, utilisez un fil ou une aiguille de petit calibre pour nettoyer les orifices ou les fentes.
	Le niveau d'alimentation en gaz dans la bouteille est faible.
La flamme du brûleur brûle à mi-hauteur.	L'humidité est présente sur le brûleur, bien sécher le brûleur.
	Les orifices ou fentes du brûleur sont bouchés. Le brûleur étant éteint, nettoyez les orifices à l'aide d'un fil ou d'une aiguille de petit calibre pour nettoyer les orifices ou les fentes.
La flamme du brûleur est orange	Des particules de poussière dans la conduite principale. Laissez le brûleur fonctionner quelques minutes jusqu'à ce que la flamme devienne bleue.
	Dans les zones côtières, une flamme légèrement orangée est inévitable en raison de l'air salin.

## Caractéristiques



### Caractéristiques générales

BTU/HR	9 000 BTU
Carburant	Propane
Pression d'entrée	Minimum 10 WCI (2488.4 Pa) – Maximum 13,8 WCI (3433,99 Pa)
Puissance d'entrée	12 VDC < 2 amp
Volume intérieur du four	58 l
Dimension globale (L x H x P)	24 3/4 po x 25 7/8 po x 22 1/8 po (628 x 656 x 562 mm)



Gracias por comprar este producto de Furrion®. Antes de usar su nuevo electrodoméstico, lea atentamente estas instrucciones. Este manual de instrucciones contiene información relativa al uso seguro, a la instalación y al mantenimiento del electrodoméstico.

Guarde este manual de instrucciones en un lugar seguro para usarlo como referencia a futuro. Esto garantizará un uso seguro y reducirá el riesgo de lesiones. Asegúrese de entregar este manual a los nuevos propietarios del electrodoméstico.

El fabricante no acepta responsabilidad por daños provocados por no seguir estas instrucciones.

**ADVERTENCIA: Si no se sigue exactamente la información de este manual, puede producirse un incendio o una explosión que provoque daños materiales, lesiones personales o la muerte.**

- No almacene ni utilice gasolina u otros vapores y líquidos inflamables cerca de este o cualquier otro electrodoméstico.
- **QUE DEBE HACER SI HAY OLOR A GAS:**
  - No intente encender ningún electrodoméstico.
  - No toque ningún interruptor eléctrico.
  - No utilice ningún teléfono en su casa rodante.
  - Evacúe a todos los ocupantes de la casa rodante.
  - Cierre la válvula del contenedor de gas o el contenedor principal.
  - Llame inmediatamente a su proveedor de gas para obtener instrucciones.
  - Si no puede comunicarse con su proveedor de gas, llame al departamento de bomberos.
- Haga revisar el sistema de gas y solucione la fuga con un instalador cualificado, una agencia de servicio, un fabricante, un distribuidor o el proveedor de gas.

## Índice

<b>Índice</b> .....	<b>25</b>
<b>Explicación de los símbolos</b> .....	<b>26</b>
<b>Instrucciones de seguridad importantes</b> .....	<b>26</b>
Advertencias generales de seguridad .....	26
Advertencias de seguridad del horno .....	27
<b>Resumen del producto</b> .....	<b>28</b>
<b>Instalación</b> .....	<b>28</b>
Contenido .....	29
Instrucciones de corte para el armario .....	29
Instalación del horno .....	29
Instalación de la ventilación .....	29
Instalación del anafe .....	30
Conexión eléctrica .....	30
Conexión de gas .....	31
Detección de fugas .....	31
<b>Funcionamiento</b> .....	<b>32</b>
Instrucciones de encendido .....	32
Instrucciones de apagado .....	32
La llama del quemador .....	32
<b>Consejos de cocción</b> .....	<b>32</b>
Cocción de pizza .....	32
Cocción de carne y pescado .....	33
<b>Limpieza y Mantenimiento</b> .....	<b>33</b>
Como mantener su horno en buen estado .....	33
Guía de la rejilla del horno .....	33
Quitar la puerta del horno .....	34
Cambio de la lámpara del horno .....	35
Cambio de la luz LED de la perilla de control .....	35
Almacenamiento .....	36
<b>Especificaciones</b> .....	<b>36</b>
<b>Resolución de problemas</b> .....	<b>36</b>

# Explicación de los símbolos

Este manual tiene información de seguridad e instrucciones para ayudarle a eliminar o reducir el riesgo de accidentes y lesiones. Respete siempre todas las advertencias de seguridad identificadas con estos símbolos. Una palabra de aviso identificará los mensajes de seguridad y de daños a la propiedad, e indicará el grado o nivel de gravedad del peligro.

## **⚠ PELIGRO**

Indica una situación peligrosa que, de no evitarse, provocará la muerte o lesiones graves.

## **⚠ ADVERTENCIA**

Indica una situación potencialmente peligrosa que, de no evitarse, podría provocar la muerte o lesiones graves.

## **⚠ PRECAUCIÓN**

Indica una situación potencialmente peligrosa que, de no evitarse, podría provocar lesiones personales menores o moderadas, o bien daño a la propiedad.

# Instrucciones de seguridad importantes

Las advertencias e instrucciones de seguridad importantes que aparecen en esta guía no están hechas para cubrir todas las posibles condiciones situaciones que puedan ocurrir. Se debe usar el sentido común, la precaución y el cuidado en todo momento al instalar, mantener y usar el electrodoméstico.

Contacte siempre al fabricante en torno a problemas o condiciones que no comprenda.

Lea y siga todas las instrucciones antes de usar este electrodoméstico para prevenir el riesgo potencial de incendio, descarga eléctrica, lesiones personales o daños al electrodoméstico como resultado de un uso inadecuado del mismo. Utilice el electrodoméstico únicamente para el uso previsto, tal y como se describe en esta guía.

Si se utiliza una fuente eléctrica externa, el electrodoméstico debe estar conectado a tierra de acuerdo con las normas del estado u otros códigos o, en ausencia de dichas normas, con el Código Eléctrico Nacional, ANSI/NFPA 70. No intente ajustar, reparar, realizar el mantenimiento o reemplazar ninguna pieza de su electrodoméstico a menos que se recomiende específicamente en esta guía. Todas las demás reparaciones deben ser realizadas por un técnico de servicio cualificado.

## Advertencias generales de seguridad

### **⚠ ADVERTENCIA**

- Una instalación, ajuste, servicio o mantenimiento inadecuados pueden provocar lesiones, daños materiales o la muerte. Siga las instrucciones de este manual. Para obtener asistencia o información adicional, consulte a un instalador cualificado, a una agencia de servicio, al fabricante o al proveedor de gas.
- Evite utilizar su electrodoméstico o cualquier otro aparato si hay olor a gas. No suponga que el olor a gas en su casa rodante es normal. Cada vez que usted detecte olor a gas, debe considerarse como una amenaza con riesgo de vida y se debe corregir inmediatamente. Apague cualquier llama abierta, incluidos los cigarrillos, y evacúe a todas las personas del vehículo. Cierre el suministro de gas en el tanque de gas.

- Si el usuario de este electrodoméstico no lo mantiene en el estado en que fue enviado de fábrica o si el aparato no se utiliza exclusivamente para el uso previsto o si el aparato no se mantiene de acuerdo con las instrucciones de este manual, existe el riesgo de que se produzca un incendio y/o que se genere monóxido de carbono que pueda causar lesiones personales, daños materiales o víctimas mortales.

### **⚠ ADVERTENCIA**

#### **EXPLOSIÓN O INCENDIO**

- Apague todos los aparatos de gas y las luces piloto cuando reabastezca los tanques de gasolina o gas o cuando el vehículo esté en movimiento.
- Los electrodomésticos de cocción a gas Furrion se utilizan únicamente con gas licuado y se instalan únicamente en casas rodantes (por ejemplo, remolques de viaje, autocaravanas, etc.).

### **⚠ ADVERTENCIA**

#### **INTOXICACIÓN POR MONÓXIDO DE CARBONO**

- NO utilice este aparato para calentar o calefaccionar el vehículo. Podría sufrir quemaduras o lesiones, provocar un incendio o agotar el oxígeno en el vehículo.
- Se debe tener una ventana o una salida de aire ligeramente abiertas mientras se use cualquier aparato de cocción. Las llamas de gas consumen oxígeno, el cual debe ser reemplazado para asegurar una combustión adecuada.
- NO almacene ni utilice gasolina u otros vapores y líquidos inflamables cerca de este o cualquier otro electrodoméstico.
- NO utilice el electrodoméstico si está dañado o no funciona correctamente.
- Nunca intente reparar el electrodoméstico usted mismo. Cualquier reparación o instalación de este electrodoméstico debe ser realizada por un instalador cualificado, una agencia de servicio o el proveedor de gas y conforme a las instrucciones de este manual. La reparación o mantenimiento del electrodoméstico

por parte de una persona o agencia de servicio no autorizada podrían provocar una falla en la integridad del electrodoméstico y podría ocasionar daños materiales, lesiones graves o víctimas mortales.

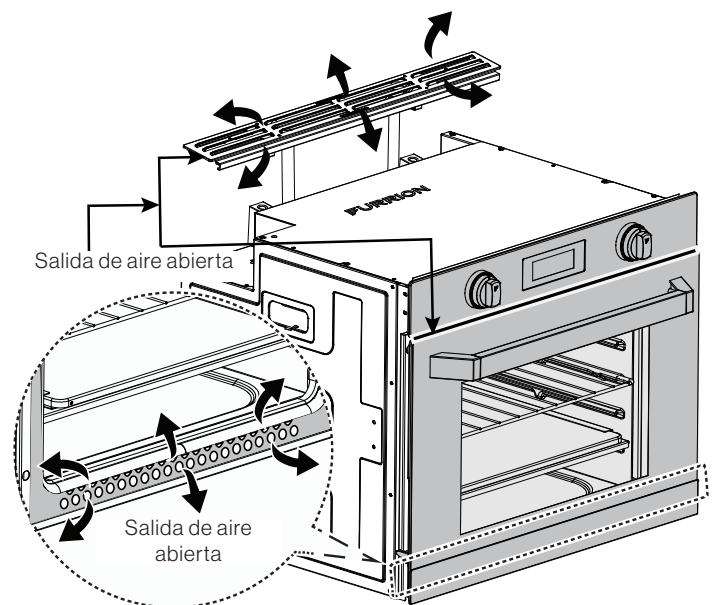
- Solicite a su distribuidor que le muestre dónde se encuentra la válvula principal de cierre de gas y cómo cerrarla en caso de emergencia.
- Utilice el electrodoméstico únicamente para el uso previsto.
- Se debe enseñar a los niños que el electrodoméstico no es un juguete. No se les debe permitir jugar con los controles ni con ninguna otra parte del electrodoméstico. No permita que nadie se pare o se siente encima del electrodoméstico. Esto no sólo puede dañar el electrodoméstico, sino que también puede ocasionar lesiones personales.
- No guarde objetos de interés para los niños en armarios que estén encima o cerca del electrodoméstico. Si los niños se suben al electrodoméstico para alcanzar objetos pueden sufrir lesiones graves.
- Todas las perillas de control deben estar apagadas cuando no estén en uso. Puede haber peligro de incendio y/o sufrir quemaduras si se deja encendido accidentalmente un quemador.
- Si cualquier quemador se apagara (después del encendido inicial o debido a una extinción accidental de la llama), cierre todas las perillas de los quemadores y espere cinco (5) minutos antes de volver a intentar encender el quemador.
- NO guarde materiales inflamables sobre, dentro o cerca del electrodoméstico. Cualquier vapor o gas puede crear una explosión y/o peligro de incendio.
- No use ropa holgada o de manga larga mientras utilice el electrodoméstico. Si entran en contacto con la llama abierta del quemador, podrían encenderse y causar quemaduras graves.
- Utilice únicamente paños o guantes de cocina secos para quitar los utensilios calientes. El uso de paños o guantes de cocina húmedos en superficies calientes puede provocar quemaduras en las manos. No utilice una toalla o un paño voluminoso como guante de cocina. El paño podría entrar en contacto con la llama abierta y prenderse fuego.
- Nunca caliente un recipiente sin abrir. La acumulación de presión dentro del recipiente puede hacer que explote.
- No utilice agua para apagar incendios provocados por grasa o aceite. Nunca recoja un recipiente de cocción en llamas. Ahogue el fuego de un recipiente de cocción en llamas con una tapa u otro recipiente plano. La grasa en llamas fuera del recipiente de cocción se puede extinguir con bicarbonato de sodio o con un extintor de polvo químico seco multipropósito.
- Este electrodoméstico está diseñado para ser instalado en una estructura de armario únicamente y no está diseñado para ser instalado a la estructura del edificio.

## Advertencias de seguridad del horno

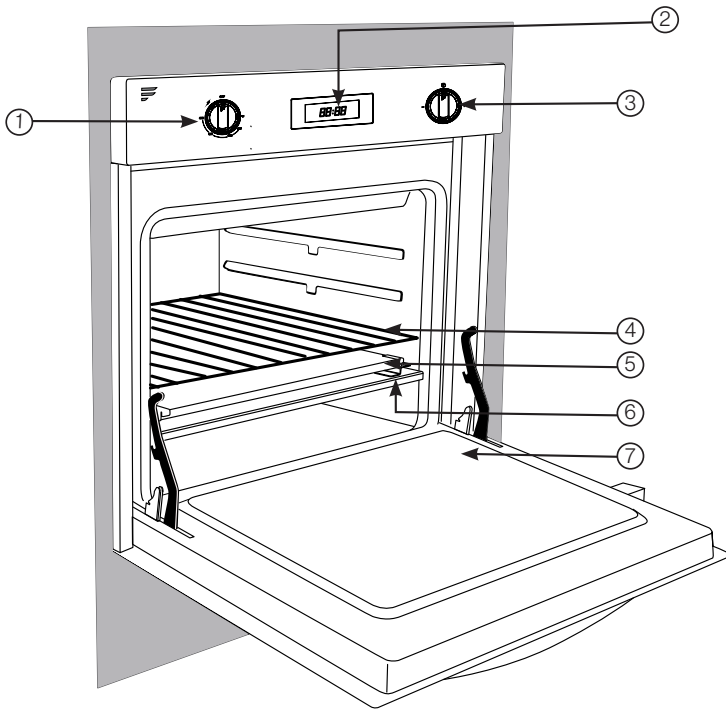
- NO TOQUE LOS ELEMENTOS CALEFACTORES O LAS SUPERFICIES INTERIORES DEL HORNO. Los elementos calefactores podrían estar calientes incluso aunque su color esté oscuro. Las superficies interiores

de un horno se calientan lo suficiente para causar quemaduras. Durante y después del uso, no toque ni deje en contacto prendas ni otros materiales inflamables con los elementos calefactores o con las superficies interiores del horno hasta que hayan tenido suficiente tiempo para enfriarse. Otras superficies del electrodoméstico podrían calentarse lo suficiente para causar quemaduras. Entre estas superficies se encuentran (identificación de superficies, por ejemplo, salidas de aire del horno y superficies próximas a estas aberturas, puertas del horno y ventanas de las puertas del horno).

- NO toque la superficie exterior de la puerta del horno ni la rejilla de ventilación mientras el horno esté en uso. Estas superficies pueden calentarse lo suficiente como para provocar quemaduras. Durante y después del uso, no permita que la ropa u otros materiales inflamables entren en contacto con estas áreas hasta que hayan tenido suficiente tiempo para enfriarse.
- NO cubra los orificios de ventilación en la Rejilla difusora de llamas (encima del quemador del horno). La circulación de aire dentro del horno se interrumpirá y los tiempos de cocción normales sufrirán variaciones, los alimentos pueden quemarse o no quedar bien cocidos.
- NO utilice el horno como área de almacenamiento.
- Si el piloto del horno se apaga después del encendido inicial debido a una extinción accidental de la llama, cierre la perilla y espere cinco (5) minutos antes de volver a intentar encender el horno.
- Siempre coloque las rejillas del horno en el lugar deseado mientras el horno esté frío. Si se debe mover una rejilla mientras el horno esté caliente, no permita que el paño o guante de cocina entre en contacto con el elemento calefactor del horno.
- Tenga cuidado al abrir la puerta del horno, permita que salga el aire caliente o el vapor antes de retirar o volver a colocar alimentos.
- No cubra las aberturas de ventilación del horno cuando se esté usando el horno. Si se cubren las rejillas de ventilación se restringe el flujo de aire de combustión hacia el quemador del horno y podría causar una mala combustión y la formación de monóxido de carbono.



# Resumen del producto



Objeto	Descripción
①	Perilla de control del horno
②	Pantalla de LED
③	Control del temporizador Configura el temporizador para hasta 23 horas y 59 minutos.
④	Rejilla del horno ajustable
⑤	Bandeja de goteo
⑥	Bandeja de cocción
⑦	Puerta del horno

# Instalación

## ⚠ ADVERTENCIA

### INCENDIO, EXPLOSIÓN, LESIÓN POR QUEMADURAS, INTOXICACIÓN POR MONÓXIDO DE CARBONO

- El electrodoméstico de cocina debe estar completamente separado y/o aislado de otros dispositivos que muevan o consuman aire, tales como, aunque no exclusivamente, calderas, hornos de microondas, secadoras de ropa, ventiladores de enfriamiento y puertas o cajones en armarios comunes. Si no lo hace, el suministro de aire de combustión del electrodoméstico se verá afectado por la creación de una corriente de aire negativa o positiva.
- La CORRIENTE DE AIRE NEGATIVA causada por electrodomésticos que mueven aire puede hacer que la llama del quemador superior descienda hacia o dentro del anafe y que provoque daños en el anafe, peligro de sufrir quemaduras, posibilidad de explosión y/o acumulación de monóxido de carbono.
- La CORRIENTE DE AIRE NEGATIVA puede apagar la llama del quemador superior durante el uso y provocar una explosión y/o peligro de incendio y/o lesiones a los ocupantes del vehículo.
- NO opere el electrodoméstico en condiciones de viento excesivo, ya que esto puede causar una corriente de aire negativa o positiva.

## ⚠ ADVERTENCIA

La instalación de este electrodoméstico se debe ejecutar siguiendo las instrucciones indicadas en este manual. Ningún agente, representante o empleado de Furrion u otras personas tienen la autoridad de cambiar, modificar o anular lo indicado en las instrucciones de este manual.

**NOTA:** Asegúrese de que la encimera, los materiales circundantes y los agentes adhesivos tengan una temperatura nominal que no sea inferior a 203 °F (95 °C). La instalación debe cumplir con las normas locales o, en caso de no existir una reglamentación específica, consulte la última edición de las siguientes normas:

En los Estados Unidos:

- Norma para casas rodantes NFPA 1192
- Código Nacional de Gas Combustible ANSI Z223.1/NFPA 54

En Canadá, la instalación debe cumplir con:

- Norma CAN/CSA Z-240.4.2-08, Requisitos de instalación para equipos y electrodomésticos a gas propano en casas rodantes.
- Todos los códigos y regulaciones locales aplicables.

## Contenido

Asegúrese de que todos los artículos siguientes estén incluidos en el empaque. Si alguno de estos elementos está dañado o no viene incluido en el empaque, póngase en contacto con el punto de venta donde adquirió el producto.

- 1 Horno a gas
- 1 Rejilla
- 1 Bandeja de goteo
- 1 Bandeja de cocción
- 1 Manual de instrucciones
- 1 Folleto de garantía

## Instrucciones de corte para el armario

Para el funcionamiento correcto de su aparato de cocción, los armarios deben estar correctamente contruidos y a escuadra con respecto a la parte superior de la horno.

Para que estas unidades funcionen correctamente, el armario debe estar nivelado y la parte inferior del electrodoméstico debe estar apoyada.

**NOTA:** Cuando utilice este electrodoméstico junto con un anafe a gas o un anafe de inducción Furrion, asegúrese de que la ubicación del orificio del armario respete la separación mínima de cualquier material combustible (distancias de separación mínimas de materiales combustibles: 2 pulgadas desde los lados atrás, izquierdo y derecho (vea la dimensión D en la fig. 1) y 30 pulgadas desde la parte superior si se instala un anafe). Cuando planifique la ubicación, tenga en cuenta las cortinas u otros materiales combustibles a instalar cerca del horno.

## Horno a gas con anafe eléctrico o a gas (fig. 1)

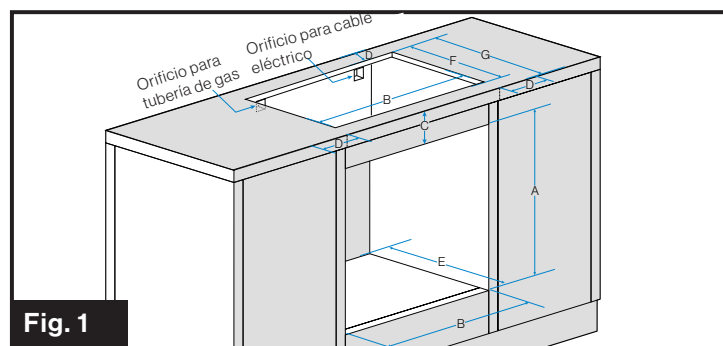


Fig. 1

A	B	C	D	E	F	G
20½" 525 mm	23½" 597 mm	4" 101 mm	Min. 2" 51 mm	Min. 16 ½" 522 mm	16¾" 426 mm	Min. 18 ¾" 467 mm

La distancia mínima entre el suelo y la parte inferior de la abertura del corte es 4" (101 mm).

## Instalación del horno

Cuando haya preparado el gabinete según las dimensiones indicadas anteriormente y haya colocado la tubería de gas:

1. Extraiga el horno de su empaque y deslícelo hacia adentro de la abertura en el armario. (Fig. 2)

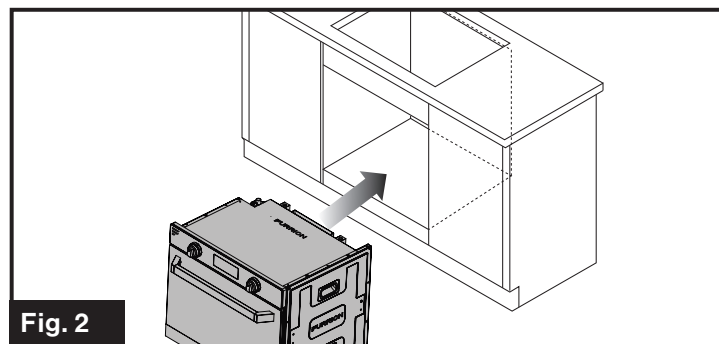


Fig. 2

2. Verifique que el horno esté nivelado de lado a lado y de adelante hacia atrás.

3. Abra la puerta del horno y fije firmemente el horno en su lugar con cuatro tornillos (no incluidos). (Fig. 3)

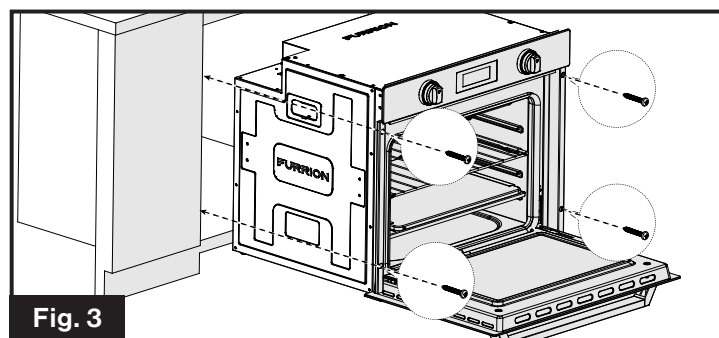


Fig. 3

## Instalación de la ventilación

Después de montar el horno firmemente dentro del armario, instale la rejilla de ventilación a través del área superior recortada del armario.

1. Instale el conjunto del conducto de ventilación exterior en la parte superior del horno. Asegúrese de que el conducto de ventilación exterior se deslice sobre la abertura del conducto de ventilación medio del horno. Asegúrese de que el conjunto del conducto de ventilación exterior tenga el soporte para el borde del anafe mirando hacia adelante. (Fig. 4)

## ⚠ ADVERTENCIA

El solapamiento mínimo entre el conducto de ventilación exterior y el conducto de ventilación medio del horno es de ¾". Consulte la Fig. 4 por instrucciones de montaje.

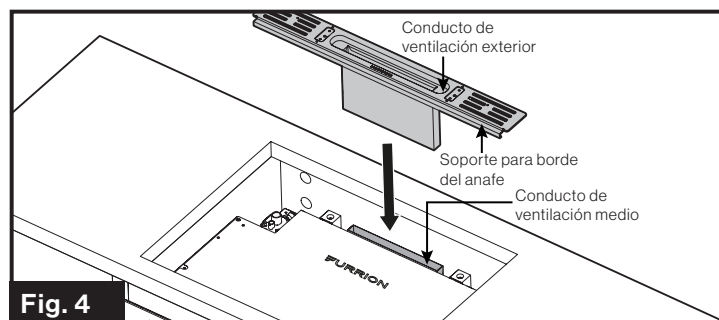
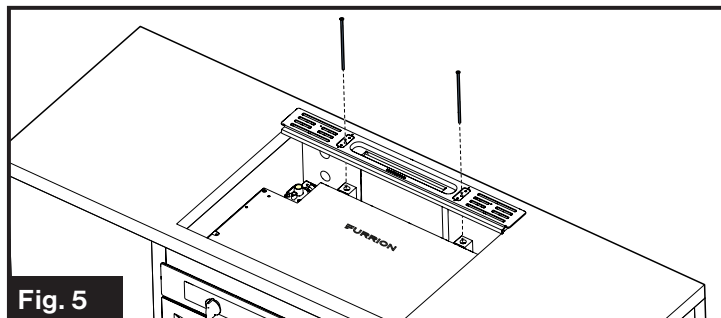


Fig. 4

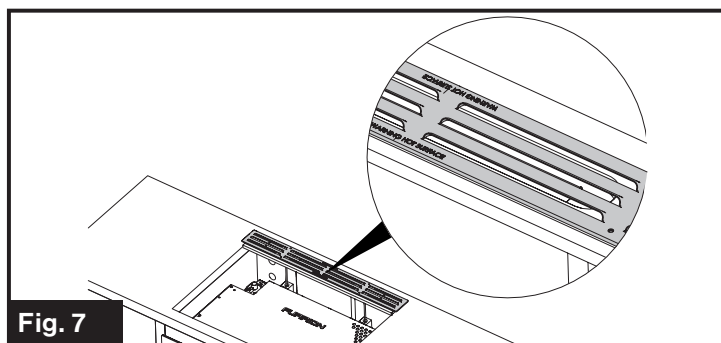
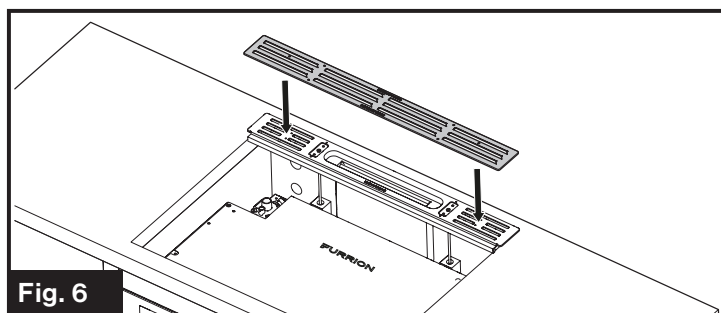


- Fije el conjunto de rejilla de ventilación al horno con los dos tornillos provistos (M4 X 140 mm) y ajústelos con un destornillador. No los apriete en exceso. (Fig. 5)

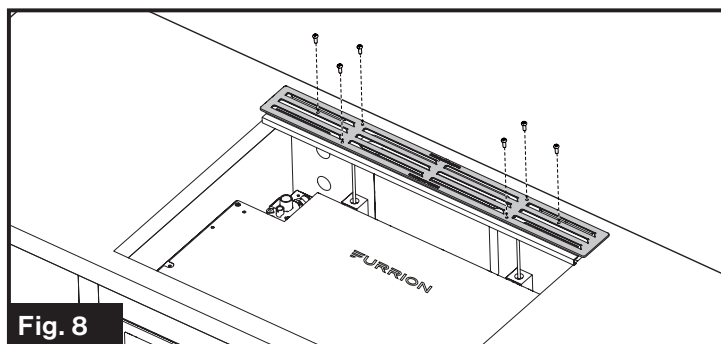


- Coloque la tapa de la rejilla de ventilación sobre el conjunto de rejilla de ventilación. Asegúrese de que las laminillas de la tapa de la rejilla de ventilación estén mirando hacia adelante. (Fig. 6 y Fig. 7)

**NOTA:** La rejilla de ventilación está diseñada con los tornillos de sujeción de forma que la única forma de colocarla sea con las laminillas mirando hacia adelante.

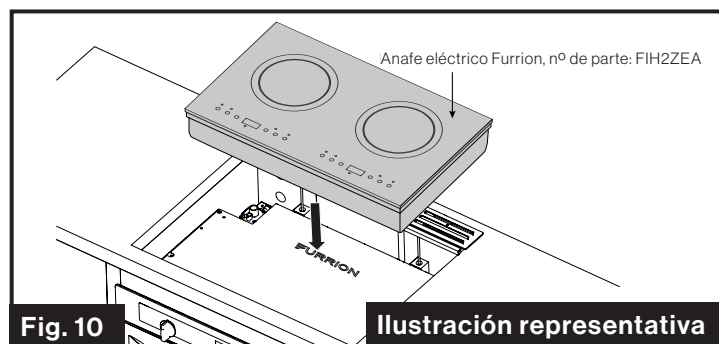
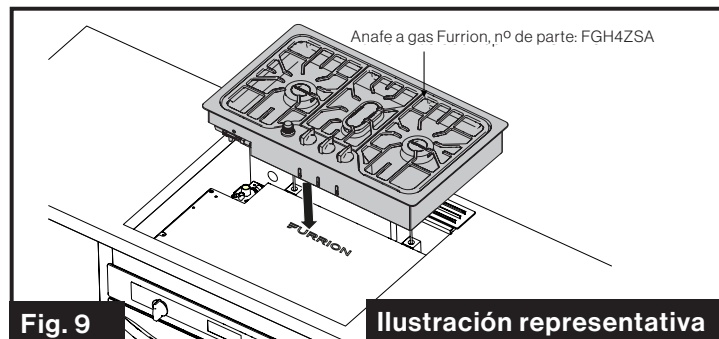


- Fije la tapa de la rejilla de ventilación al conjunto de rejilla de ventilación con los seis tornillos provistos (M3 x 8 mm). (Fig. 8)



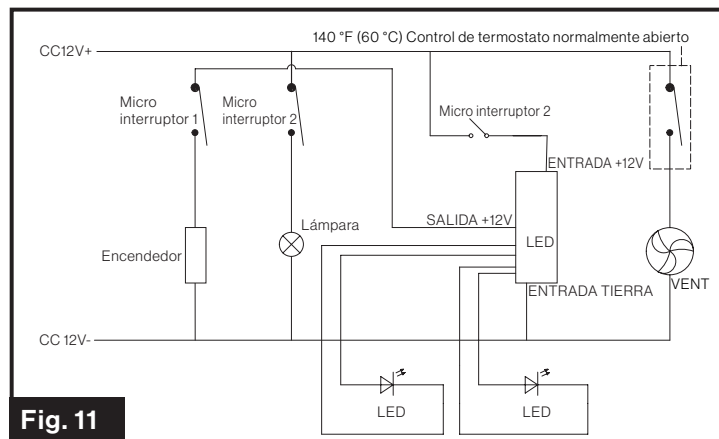
## Instalación del anafe

Este horno está diseñado para poder usarse con un anafe Furrion eléctrico o a gas. Consulte el manual de instrucciones del anafe correspondiente para conocer cómo construir el gabinete e instalar el anafe encima del horno. (Fig. 9 y Fig. 10)



## Conexión eléctrica

- La fuente de alimentación de este horno es de 12 V. Conecte los siguientes componentes por separado. (Fig. 11)
  - NOTA:** Asegúrese de conectar los cables con la polaridad correcta. Negro es "+" y Blanco es "-".
- Energía de 12 V para:** Encendedor, luz del horno, ventilador, temporizador electrónico y pantalla, control de termostato de 140 °F (60 °C).
  - Inserte el cable a través del orificio para cable eléctrico de la esquina superior derecha trasera. Use un fusible de 15A en la fuente de energía por su protección.
  - La placa de identificación se encuentra en la parte superior del horno. Por especificaciones técnicas, consulte la etiqueta.



## Conexión de gas

### ⚠ ADVERTENCIA

La tubería de suministro de gas debe instalarse manteniendo una separación de las cuchillas que puedan entrar en contacto o corten las líneas de gas.

Conecte una tubería de gas propano con una conexión Flare hembra de 3/8 pulgadas horno de gas en la esquina trasera superior derecha del gabinete. (Fig. 12) Apriete la unión de la tubería de gas horno de gas con 2 llaves.

**IMPORTANTE:** Deje un espacio adecuado alrededor de la tubería de suministro de gas en caso de que haya alguna curva o se dañe durante la instalación. Asegúrese de que la tubería de suministro de gas no pueda entrar en contacto con ninguna pieza móvil después de su instalación. Asegúrese de que todas las aberturas en el armario alrededor de la tubería de gas estén selladas en el momento de la instalación.

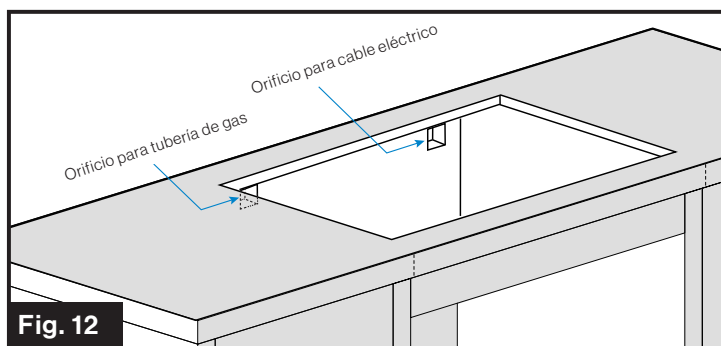


Fig. 12

### Verifique que la conexión esté bien firme

Al completar la instalación, use una solución de detección de pérdidas para comprobar que las conexiones de las tuberías no tengan pérdidas. Nunca use una llama.

## Detección de fugas

### ⚠ ADVERTENCIA

#### INCENDIO O EXPLOSIÓN

- Apaguen todas las llamas abiertas.
- NUNCA realice una prueba de fugas cuando esté fumando. Nunca use una llama.
- No utilice el electrodoméstico hasta que la conexión haya sido probada y no tenga fugas.
- Para realizar la prueba de presión/fugas utilice entre 11 y 13,8 c.a.

### ⚠ ADVERTENCIA

- Se pueden producir fugas de gas en su sistema y generar en una situación peligrosa. Realice siempre una prueba de fugas para detectar posibles fugas de acuerdo con las instrucciones del fabricante después de la instalación y antes del funcionamiento.
- Las fugas de gas pueden no ser detectadas solo por el olor. Los proveedores de gas recomiendan que compre e instale un detector de gas aprobado por UL.

### ⚠ ADVERTENCIA

- NO use cerillos, velas u otras formas de encendido al buscar pérdidas.
- No fume mientras hace la prueba de pérdidas.
- Nunca haga una prueba de pérdidas con una llama expuesta.

Por favor siga estos pasos para hacer la prueba de fugas para la aplicación.

1. Apaguen todas las llamas abiertas.
2. Cierre la válvula de alimentación de gas y las perillas de control.
3. Prepare una solución jabonosa mezclando partes iguales de agua y un detergente suave o jabón líquido.
4. Rocíe la solución jabonosa sobre todas las conexiones de gas y tuberías de gas del electrodoméstico.
5. Abra la válvula de suministro de gas y revise todas las conexiones de gas en busca de burbujas:
  - Si no aparecen burbujas, no hay pérdidas de gas.
  - Si aparecen burbujas, hay un punto de pérdida donde aparecen.
6. Si detecta una pérdida de gas, apriete la conexión y repita los pasos anteriores. Si la pérdida está en la conexión de la tubería de suministro de gas, cambie la tubería y repita los pasos anteriores.

**NOTA:** También se recomienda realizar una prueba de pérdidas al menos anualmente sin importar si se hubiera desconectado el tanque de alimentación de gas o no.



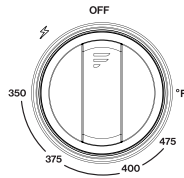
# Funcionamiento

## ⚠️ ADVERTENCIA

Mantenga los brazos y la cara alejados de la parte directamente encima del área de cocción mientras use el electrodoméstico.

## Instrucciones de encendido

1. Antes de encender, restablezca las perillas de control de gas a la posición **OFF** (apagado).
2. Compruebe que la válvula de suministro de gas esté **ABIERTA**.
3. Mantenga abierta la puerta del horno durante todo el proceso de encendido para ver el piloto y el quemador hasta que se encienda.
4. Presione y gire la perilla de control de gas en sentido antihorario hasta la posición ⚡ hasta que se encienda el piloto. (Al presionar la perilla escuchará clics).
5. Si la llama no se enciende en 5 segundos, cierre la perilla de control de gas, espere 5 minutos y repita el proceso de encendido.
6. Una vez encendida la llama del piloto, mantenga presionada la perilla de control del horno durante 10 a 15 segundos. Luego suelte la perilla y verifique que el piloto queda encendido. Si el piloto se apaga al soltar la perilla, repita los pasos anteriores. (Mantenga abierta la puerta del horno durante este proceso)
7. Luego de encender la llama del piloto y soltar la perilla de control, gire la perilla de control en sentido antihorario para elegir la temperatura deseada.
8. Una vez que haya girado la perilla de control hasta la temperatura deseada, verifique visualmente que el quemador del horno se ha encendido. La llama del quemador debería encenderse en unos pocos segundos.
9. Después de verificar el encendido del quemador, cierre la puerta del horno para continuar el proceso de precalentamiento.

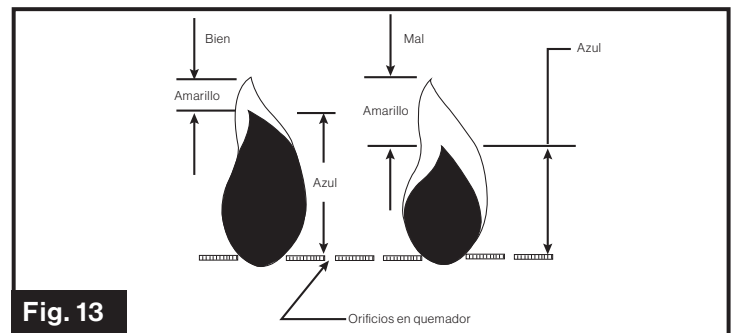


## Instrucciones de apagado

1. Para apagar el quemador, presione la perilla de control del horno y gírela en sentido horario hasta la posición **OFF** (apagado). Antes de viajar o recargar el combustible, asegúrese de apagar todas las llamas piloto.
2. Cierre el suministro de gas.
3. Antes de emprender un viaje, cierre la llave de paso de gas principal.
4. El ventilador podría seguir funcionando unos 10 a 15 minutos después de apagado el horno.

## La llama del quemador

Las llamas deben verse similares al ejemplo de llama correcta que se muestra en el diagrama a continuación. (Fig. 13)



Una llama correcta debería ser azul con una punta amarilla. Algunas puntas de llama amarillas de hasta 1 pulgada son aceptables siempre que no aparezcan depósitos de hollín o carbonilla. Si las llamas son excesivamente amarillas e irregulares, es posible que el residuo de aceite no se esté quemando del todo, o que el tubo de Venturi esté obstruido o que no esté colocado correctamente sobre los orificios.

## Consejos de cocción

El horno ofrece una amplia gama de alternativas que permiten cocinar cualquier tipo de comida de la mejor manera posible. Con el tiempo aprenderá a sacar el máximo provecho de este versátil electrodoméstico de cocina. Las siguientes instrucciones son simplemente una guía que puede variar según su experiencia personal.

## ⚠️ ADVERTENCIA

### Peligro de intoxicación por alimentos

No deje los alimentos en el horno más de una hora antes o después de cocinarlos. Hacerlo podría causar intoxicación alimentaria.

## Cocción de pizza

Para cocinar pizzas sabrosas y crocantes:

- Deslice la bandeja de cocción hacia adentro del horno.
- Precaliente el horno durante al menos 20 minutos.
- Coloque una asadera para pizza de un color claro sobre la rejilla provista con el horno. Si se utiliza la bandeja de goteo, prolongará el tiempo de cocción y dificultará la obtención de una masa crujiente.
- No abra la puerta del horno con frecuencia mientras la pizza se esté cocinando.

## Cocción de carne y pescado

Cuando cocine carnes blancas, aves y pescado, utilice los ajustes de temperatura de 350 °F (176 °C) a 425 °F (218 °C). Para carnes rojas que deben estar bien cocidas por fuera y tiernas y jugosas por dentro, es una buena idea comenzar con un ajuste de temperatura alta "400 °F (205 °C) ~ 425 °F (218 °C)" durante un corto tiempo y luego bajar la temperatura del horno.

En general, cuanto mayor sea el tamaño de lo que desee tostar, menor será el ajuste de temperatura. Coloque la carne en el centro de la rejilla y coloque la bandeja de goteo debajo para recoger la grasa.

Asegúrese de que la bandeja de goteo esté colocada en el centro del horno. Si desea aumentar la cantidad de calor desde abajo, utilice las alturas de las rejillas bajas. Para un rostizado sabroso (especialmente carne de pato y caza silvestre), aderece la carne con manteca de cerdo o tocino en la parte superior.

## Limpieza y Mantenimiento

### Como mantener su horno en buen estado

Antes de limpiar o realizar el mantenimiento de su horno, desconéctelo de la toma de corriente.

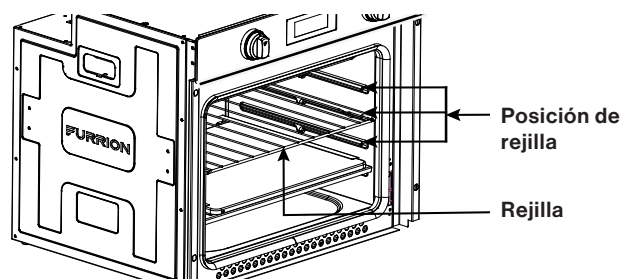
Para prolongar la vida útil de su horno, debe limpiarlo con frecuencia. Tenga en cuenta:

- No usar equipos de vapor para limpiar el electrodoméstico.
- Las partes esmaltadas o de acero inoxidable se deben lavar con agua tibia sin usar polvos abrasivos o sustancias corrosivas que podrían dañarlas. El acero inoxidable podría mancharse. Si estas manchas resultan difíciles de quitar, use productos especiales disponibles en el mercado. Luego de limpiarlo, se recomienda enjuagarlo bien y secarlo.
- El interior del horno se debería limpiar preferiblemente luego del uso, mientras aún está tibio, con agua caliente y jabón. Enjuague hasta quitar todo el jabón y seque completamente el interior. Evite usar detergentes abrasivos (por ejemplo polvos de limpieza, etc.) y esponjas abrasivas para platos o ácidos (como un descalcificador, etc.), ya que estos podrían dañar el esmalte. Si las manchas de grasa y suciedad son especialmente difíciles de quitar, use un producto especial para limpiar hornos siguiendo las instrucciones del envase.
- Si usa su horno por períodos prolongados, podría formarse condensación. Use un paño suave para secarlo.
- El horno tiene un burlete de goma en el contorno de su abertura, que garantiza su perfecto funcionamiento. Revise el estado de este burlete periódicamente. Límpiolo de ser necesario, evitando usar productos u objetos abrasivos para ello. Si se daña, contacte a su Centro de servicio de posventa más cercano. Le recomendamos evitar usar el horno hasta que haya sido reparado.
- Nunca cubra la parte inferior del horno con papel de aluminio, ya que la resultante acumulación de calor podría afectar la cocción y hasta dañar el esmalte.
- Para limpiar la puerta de vidrio, use esponjas o productos no abrasivos y séquela con un paño suave.

### Guía de la rejilla del horno

La rejilla del horno cuenta con un sistema de traba anti-vuelco.

- Para retirar la rejilla, empújela por completo hacia adentro y luego empújela hacia arriba y deslícela hacia adelante para así destrabar las pestañas traseras de la ranura de bloqueo.
- Para insertar la rejilla del horno, colóquela justo encima de la posición deseada. La rejilla debería deslizarse con facilidad hacia el fondo y caerá una vez empujada hacia adentro. Para trabar la rejilla en su posición, tire de la rejilla hacia levemente hacia adelante y luego empuje la rejilla y luego empújela hacia adentro para trabar su sección delantera. (Ver la posición de la rejilla como se indica a continuación.)



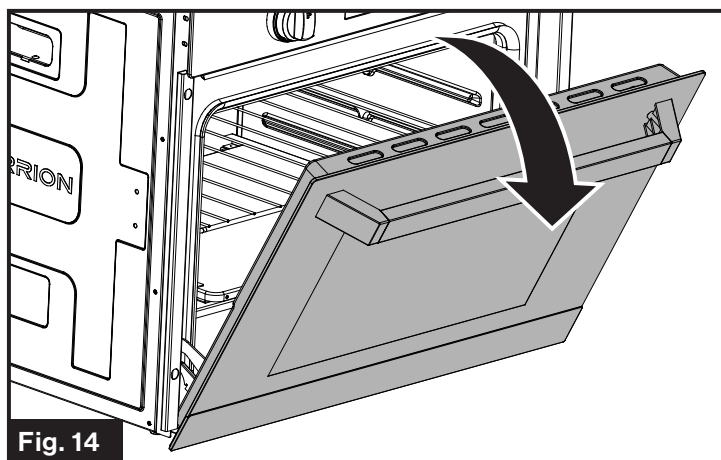
## Quitar la puerta del horno

### ⚠ ADVERTENCIA

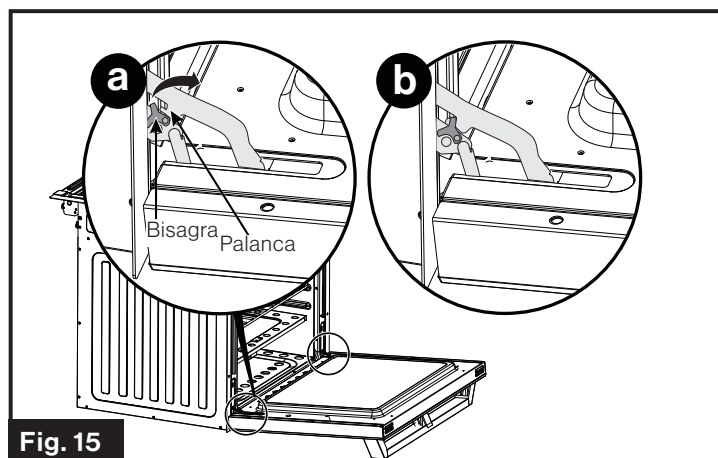
Cuando se desee quitar la puerta:

- No coloque el peso excesivo sobre la puerta abierta del horno ni se pare sobre la puerta abierta del horno dado que, en algunos casos, podría provocar que el horno se voltee, que se rompa o dañe la puerta hasta el punto en que el uso del horno no sea seguro o que se generen lesiones graves al usuario.
- Al abrir la puerta del horno, permita que salga el vapor y el aire caliente antes de acercarse al horno para revisar, agregar o quitar alimentos.
- Asegúrese de que el horno se haya enfriado y esté apagado antes de quitar la puerta. De lo contrario, se podrían producir descargas eléctricas o quemaduras.
- La puerta del horno es pesada y frágil. Retire la puerta del horno con ambas manos. El frente de la puerta es de cristal. Se debe manipular con cuidado para evitar que se rompa.
- Sujete únicamente los lados izquierdo y derecho de la puerta del horno. No sujete la manija, porque puede oscilar en la mano y causar daños o lesiones.
- Si no se sujeta de manera firme y adecuada la puerta del horno, se pueden producir lesiones personales o daños al producto.
- Para evitar lesiones por un cierre repentino del soporte de la bisagra, asegúrese de que ambas palancas estén bien fijadas en su sitio antes de retirar la puerta (Fig. 15a). Además, no debe forzar la puerta a abrirse o cerrarse, porque la bisagra podría dañarse y provocar lesiones.

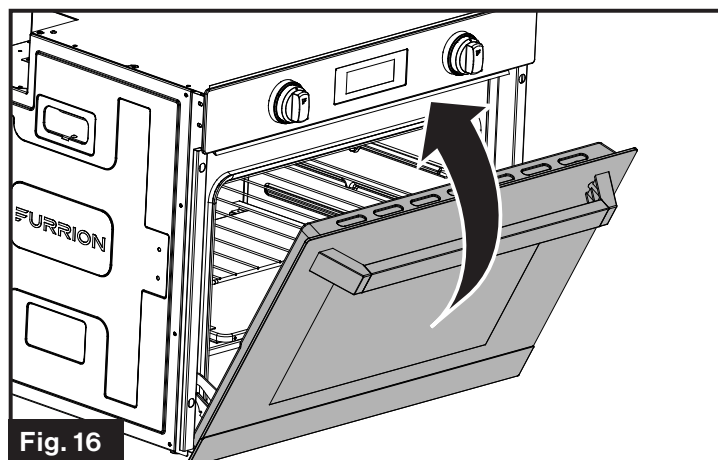
1. Asegúrese de leer la **ADVERTENCIA** anterior antes de intentar extraer la puerta del horno.
2. Abra la puerta completamente. (Fig. 14)



3. Rote las bisagras (una de cada lado) hacia usted hasta enganchar la palanca. (Fig. 15)



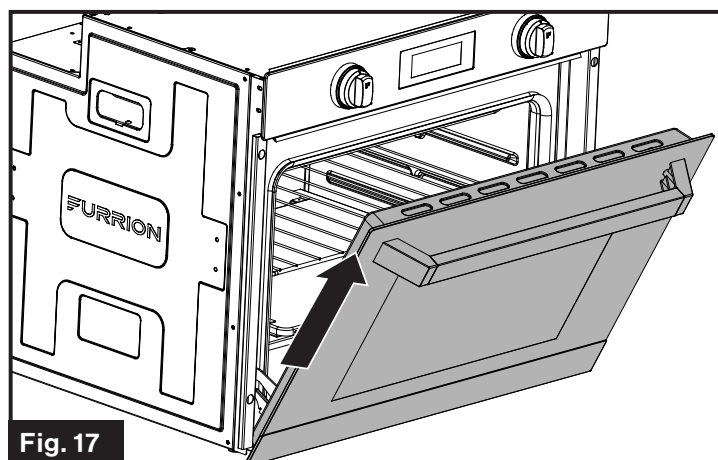
4. Cierre la puerta hasta que se detenga. (Fig. 16)



5. Sujete la puerta firmemente de ambos lados (izquierdo y derecho) y, con ambas manos, tire de la puerta directamente hacia fuera de las ranuras de las bisagras. (Fig. 17 y Fig. 18)

### ⚠ ADVERTENCIA

La puerta es pesada, sujétela con firmeza.



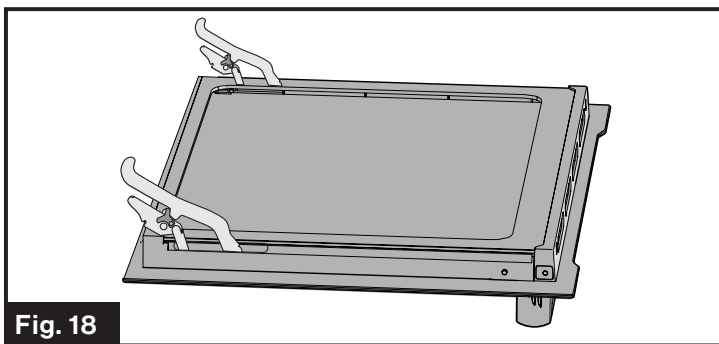


Fig. 18

6. Coloque la puerta sobre una superficie plana segura, para evitar que se dañe su vidrio.
7. Siga estos pasos para volver a colocar la puerta del horno (Fig. 19):
  - Inserte la bisagra en la ranura superior como se muestra en la Fig. 19 **a**.
  - Abra la puerta completamente como se muestra en la Fig. 19 **b**. Asegúrese de que la traba de la bisagra se haya liberado de la palanca, como se muestra en la Fig. 19 **c**.

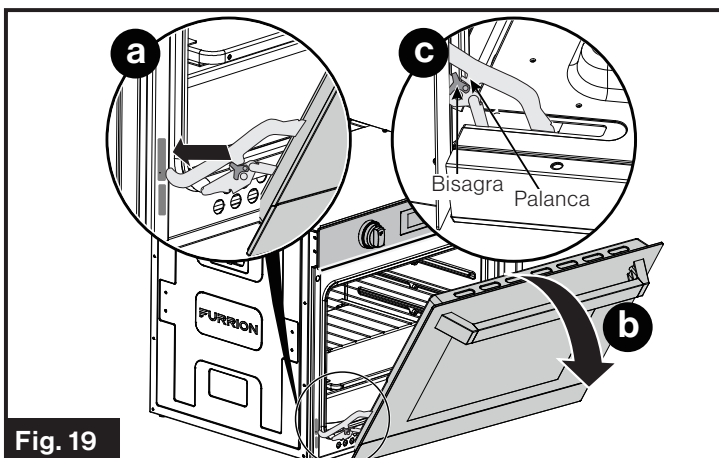


Fig. 19

## Cambio de la lámpara del horno

1. Desconecte el horno de la fuente de alimentación abriendo el interruptor eléctrico principal o retirando su fusible.
2. Asegúrese de que el horno se haya enfriado antes de comenzar el mantenimiento de la luz del horno.
3. Retire la tapa de vidrio del portalámparas. (Fig. 20)

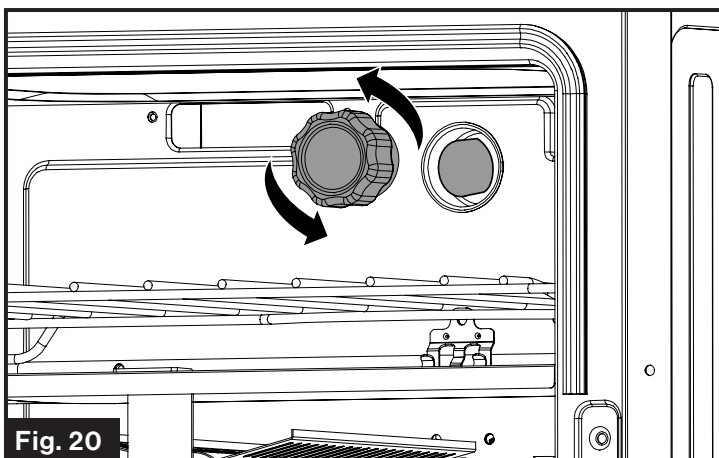


Fig. 20

4. Retire la lámpara y reemplácela por una lámpara resistente a altas temperaturas (572 °F) con las siguientes características:
  - Voltaje: 12V
  - Potencia: 20W
  - Tipo: G4
  - Tipo de lámpara: Halógena
5. Vuelva a colocar la tapa de vidrio.
6. Vuelva a conectar la alimentación eléctrica al horno. Para solicitar el repuesto de la lámpara del horno Furrion, llame al servicio de asistencia de Furrion.

## Cambio de la luz LED de la perilla de control

1. Desconecte el horno de la alimentación eléctrica mediante el interruptor usado para conectar el electrodoméstico a la fuente de alimentación o quitando su fusible. Sujete y tire de la perilla de control con la luz LED rota para extraerla. (Fig. 21)

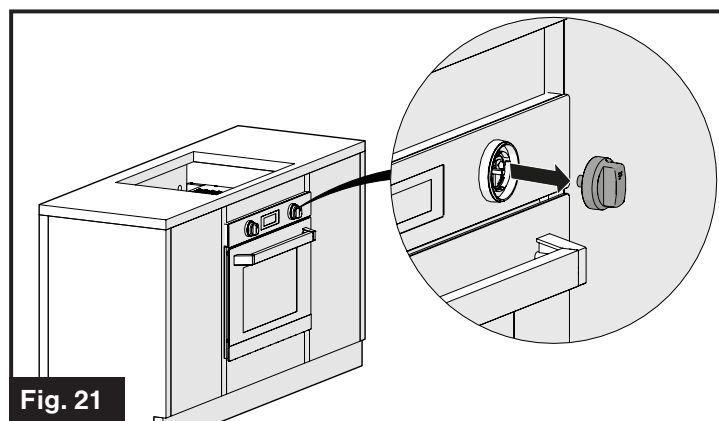


Fig. 21

2. Retire los dos tornillos que sujetan la luz LED con un destornillador Phillips. (Fig. 22)

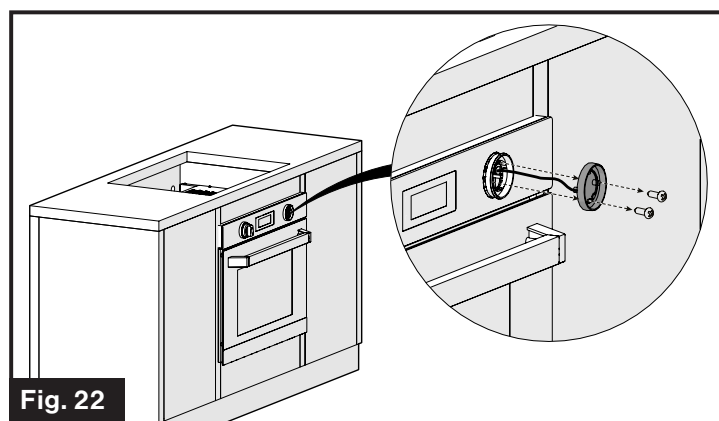


Fig. 22

3. Retire la unidad de LED y desconecte el cable de la base de la unidad de LED. (Fig. 23)

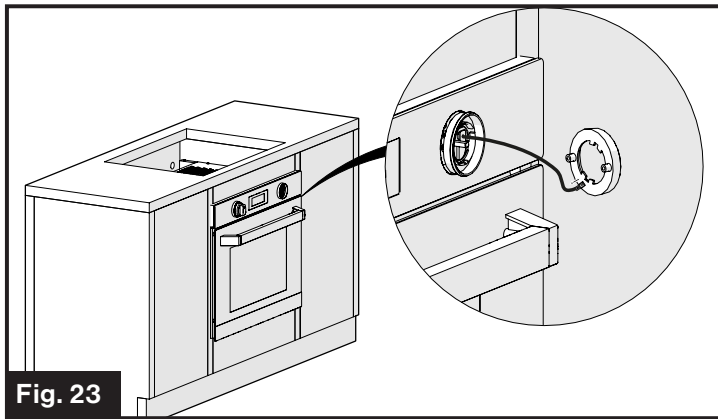


Fig. 23

4. Enchufe el conector del cableado en la nueva unidad de LED.
5. Vuelva a ajustar la unidad de LED en la consola con los 2 tornillos que se quitaron en el paso 3. Asegúrese de no pellizcar los cables durante este proceso.
6. Vuelva a colocar la perilla de control alineando el vástago del control en la abertura de la carcasa de la perilla de control y empújela hasta que vuelva a su posición.

## Almacenamiento

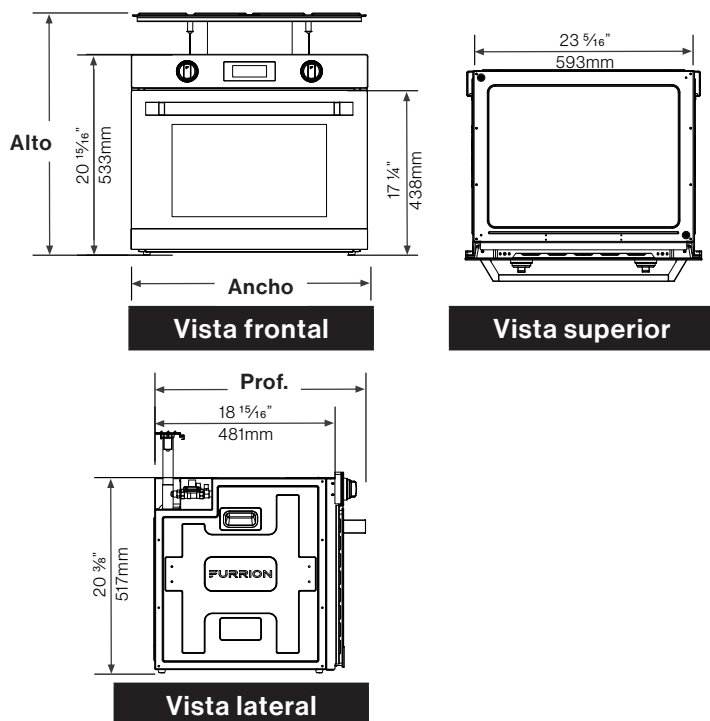
Seque todas las superficies y la caja del quemador, luego rocíe las superficies con una sustancia de aceite de cocina para evitar que la superficie se oxide durante el almacenamiento a largo plazo. Limpie la capa de aceite antes de volver a utilizarlo.

## Resolución de problemas

Antes de llamar al servicio técnico, revise esta lista. Puede ahorrarle tiempo y dinero. Esta lista incluye experiencias comunes que no son el resultado de mano de obra o material defectuoso en su electrodoméstico.

Problema	Posible causa / solución
Los quemadores no se encienden	Asegúrese de que la válvula de suministro de gas esté abierta.
	Los orificios o ranuras del quemador están obstruidos. Con el quemador apagado, utilice un alambre o una aguja de calibre pequeño para limpiar los orificios o las ranuras.
	Nivel bajo de suministro de gas en el cilindro.
Solo se enciende la llama en parte del quemador	Hay humedad en el quemador, seque bien el quemador.
	Los orificios o ranuras del quemador están obstruidos. Con el quemador apagado, limpie los orificios o las ranuras con un alambre o una aguja de calibre pequeño.
La llama del quemador es naranja	Hay partículas de polvo en la línea principal. Deje que el quemador funcione unos minutos hasta que la llama se vuelva azul.
	En las zonas costeras, es inevitable que la llama esté ligeramente anaranjada debido al aire salino.

## Especificaciones



### Especificaciones generales

BTU/HR	9,000 BTU
Combustible	Gas propano
Presión de entrada	10" WCI (0,36 psi) mín. a 13,8" WCI (0,50 psi) máx.
Entrada de alimentación	12 VDC < 2 A
Volumen interno del horno	58 L
Dimensiones del producto (Ancho x Alto x Profundidad)	24 $\frac{3}{4}$ " x 25 $\frac{7}{8}$ " x 22 $\frac{1}{8}$ " (628 x 656 x 562 mm)









**FURRION**

**Furrion Innovation Center & Institute of Technology**

- 52567 Independence Ct., Elkhart, IN 46514, USA • Toll free:1-800-789-3341
- Email: support@furrion.com

©2007-2020 Furrion Ltd. Furrion® and the Furrion logo are trademarks licensed for use by Furrion Ltd. and registered in the U.S. and other countries.

©2007-2020 Furrion Ltd. Furrion® et le logo Furrion sont des marques déposées par Furrion Ltd. et enregistrées aux Etats-Unis et ailleurs.

©2007-2020 Furrion Ltd. Furrion® y el logotipo de Furrion y son marcas comerciales con licencia de uso de Furrion Ltd. y están registradas en los Estados Unidos y en otros países.

**FURRION.COM**